

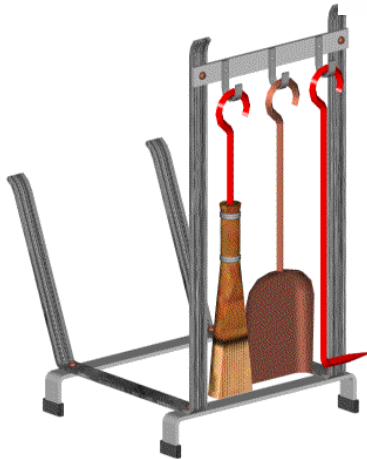
**Enclume**



**COUNTRY HOME LOG RACK w/Tools  
LR11T**

**Enclume hearth racks are the ultimate in Quality, design, strength and function. Congratulations for owning one of the finest Storage racks made.**

**WARNING:  
READ ALL OF THE INSTRUCTIONS  
BEFORE ASSEMBLING AND USING  
YOUR RACK.**



All of our hammered steel racks are finished with an industrial wax designed to give years of protection to the rack. Cleaning is easily done with a damp cloth. Dry thoroughly after cleaning. If a touch-up is ever needed we recommend a "Pledge" like wax product.

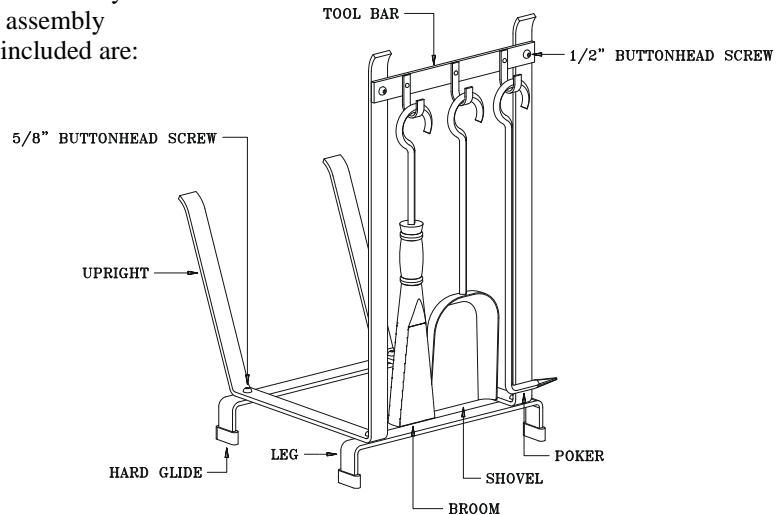
Enclosed you will find everything needed for the assembly and use of your hearth rack. Two people make assembly and installation easier. The parts and hardware included are:

**Hardware included:**

- 4 – Hard Glides
- 4 – 3/8" x 5/8" Button head Screws
- 2 – 3/8" x 1/2" Button head Screws
- 1 – 7/32" Allen Wrench

**Components included:**

- 2 – Uprights
- 1 – Tool Bar
- 2 – Legs
- 1 – Broom
- 1 – Poker
- 1 – Shovel



**See reverse side for ASSEMBLY AND INSTALLATION INSTRUCTIONS**

**Limited Warranty:** This product is warranted to be free of material defects for a period of five years from the date of purchase. Customer's exclusive remedy shall be the repair or replacement of the defective product and shall be subject to the following conditions: (1) notice of any defect is received by Enclume within the warranty period and (2) customer returns the defective product to Enclume Design Products, Inc., 24 Colwell St., Port Hadlock, WA 98339, *postage prepaid* within 20 days following a return authorization number (which may be obtained by telephoning the number at the bottom of this instructions) being provided to the customer by Enclume. There are no other warranties, expressed or implied. **THERE ARE NO WARRANTIES OF MERCHANTABILITY OR FITNESS FOR A PARTICULAR PURPOSE. ENCLUME SPECIFICALLY DISCLAIMS ANY AND ALL INCIDENTAL OR CONSEQUENTIAL DAMAGES ARISING OUT OF THE PURCHASE OR USE OF ENCLUME'S PRODUCTS.**



**If you need help, please call 1-877-ENCLUME**  
**Enclume Design Products, Inc.**  
24 Colwell Street, Port Hadlock, WA. 98339  
Phone 360-385-6100 • Fax 360-385-6156  
[www.enclume.com](http://www.enclume.com)

# ASSEMBLY AND INSTALLATION INSTRUCTIONS for LR11T

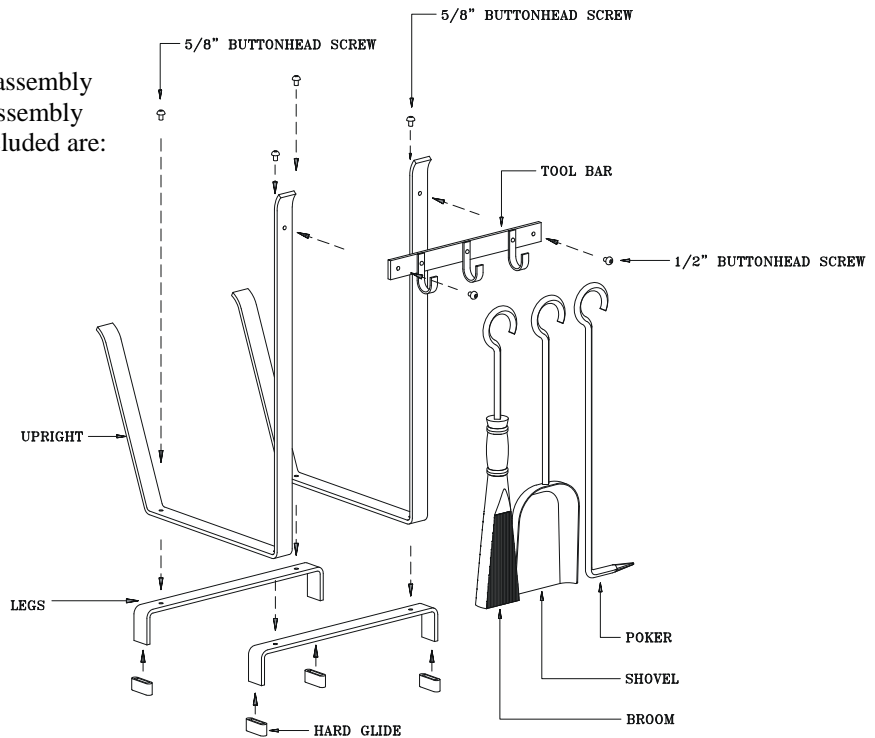
Enclosed you will find everything needed for the assembly and use of your storage rack. Two people make assembly and installation easier. The parts and hardware included are:

## Hardware included:

- 4 – Hard Glides
- 4 – 3/8" x 5/8" Button head Screws
- 2 – 3/8" x 1/2" Button head Screws
- 1 – 7/32" Allen Wrench

## Components included:

- 2 – Uprights
- 1 – Tool Bar
- 2 – Legs
- 1 – Broom
- 1 – Poker
- 1 – Shovel



# ASSEMBLY AND INSTALLATION INSTRUCTIONS

## Rack Assembly

- 1) Push Hard Glides onto the ends of each leg.
- 2) Place each leg approximately 12" apart and parallel to each other.
- 3) Set uprights perpendicularly on top of the legs, lining up holes attach with the four 3/8" x 5/8" button head screws, tighten only finger tight.
- 4) Place tool bar across the top outside of the uprights, making sure the hooks are facing upward. Secure into place using the remaining (2) 3/8" x 1/2" button head screws, going from the outside of the tool bar thru the inside of the uprights. Again, leave screws finger tight.
- 5) Square up your rack and tighten all button head screws using the Allen wrench included in the hardware. The assembly of your rack is now complete.
- 6) All of our hammered steel racks are finished with an industrial wax designed to give years of protection to the rack. Cleaning is easily done with a damp cloth. Dry thoroughly after cleaning. If a touch-up is ever needed we recommend a "Pledge" like wax product.



**It is important that your rack is assembled correctly. If the unit is assembled or used incorrectly, it could become unstable and collapse, possibly causing injury. Natural broom straw is flammable. Keep the broom well away from open flame. It should not be used to sweep hot coals or ash.**



If you need help, please call 1-877-ENCLUME  
**Enclume Design Products, Inc.**  
24 Colwell Street, Port Hadlock, WA. 98339  
Phone 360-385-6100 • Fax 360-385-6156  
[www.enclume.com](http://www.enclume.com)