


Selkirk LLC Chimney parts are Listed and produced under the Factory Inspection and Follow-up program of Underwriters' Laboratories, Inc. and carry the LISTING MARK illustrated here. 

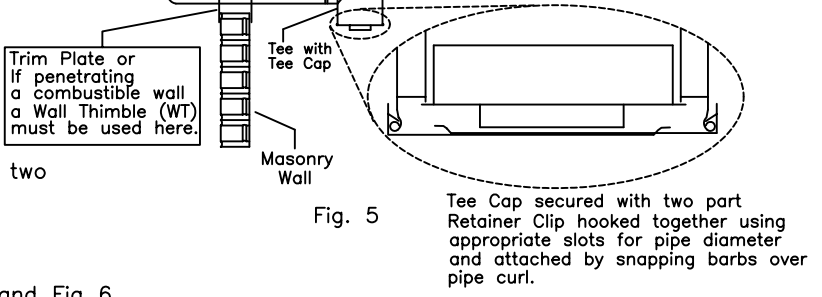
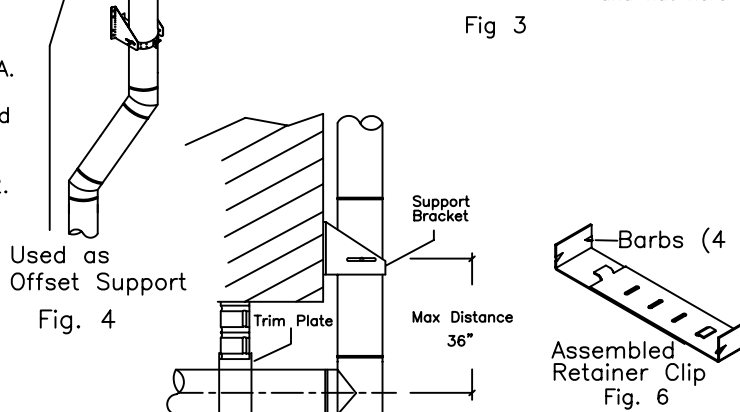
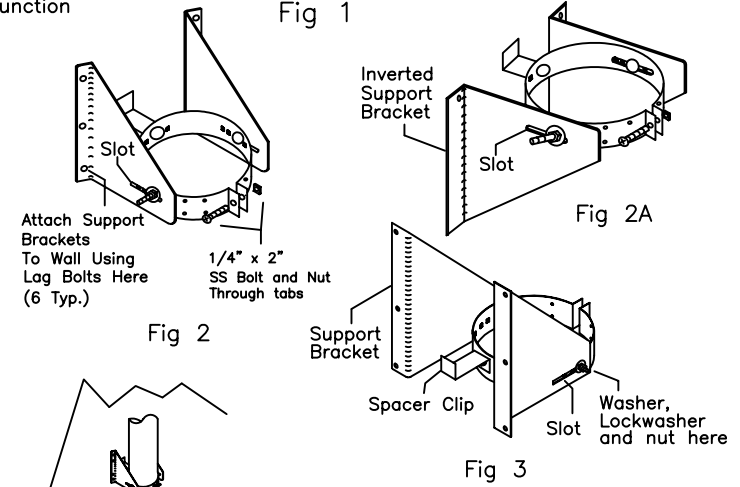
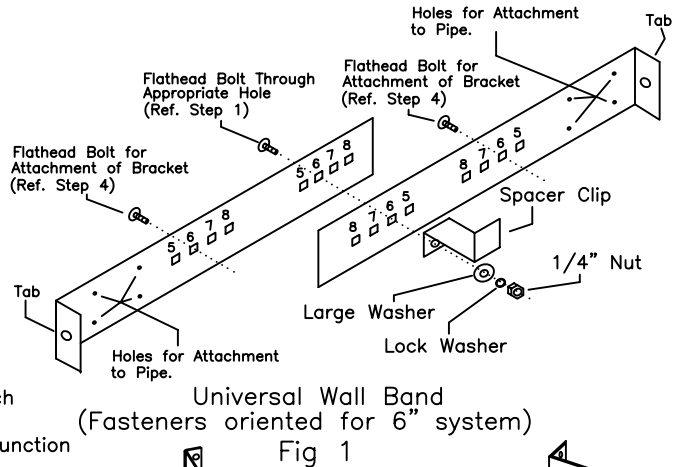
CAUTION: WEAR CUT RESISTANT GLOVES WHILE HANDLING METAL PARTS TO AVOID PERSONAL INJURY. SHARP EDGES OR PROJECTIONS CAN CUT YOU.

Read the following instructions in their entirety before assembling and installing. Refer to the main Metalbestos Installation Instructions for further information on the installation of Metalbestos Chimney System (MCS).

The Universal Wall / Re-Support Assembly is designed to accommodate 5" through 8" diameter Metalbestos Chimney System pipe. It may be used as a primary support (for the Wall Support Kit) or as a re-support used above an offset in an installation run along a wall. It provides both lateral and vertical support. The total height of support which it can accommodate is 20' for 8" dia., 25' for 7" dia., 28' for 6" dia. and 29' for 5" dia. It can also be used in conjunction with the Wall Band (WB) referenced in the main Metalbestos Chimney Installation Instructions.

To Install:

1. Place the two halves of the UWRS Band as shown in Fig. 1. Insert flat head bolts through the holes marked with the diameter of the chimney being installed. (Ex. - for a 6" chimney, place the flathead bolts through the holes marked 6".) The flat head of the bolt should be oriented opposite the direction the formed tabs are pointed. (See Fig. 1)
2. Place the Spacer Clip on the bolt used in the middle of the assembly and secure with washers and nut. (See Fig. 1)
3. Form the Band into a circle as shown in Fig. 2 and loosely connect tabs using the nut and bolt indicated.
4. Place the Band between the brackets with the Spacer Clip and Tabs oriented as shown in Fig.2 or 2A.
5. Attach the band to the wall brackets using 2 flat head bolts (1 per bracket) and nuts. The bolts should pass through the holes corresponding to the pipe diameter and through the slots of the brackets shown in Fig. 2.
6. Determine the location at which the assembly will be installed. (Make sure the wall to which the brackets will be attached is structurally sound, capable of providing adequate anchoring capacity for lag bolts and bearing the weight of the pipe.)
7. Using the pre-drilled holes of the brackets as a template level and drill 3 holes for each bracket.
8. Secure brackets to wall using 1/4" x 2" lag bolts.
9. Place length of pipe within the assembly and tighten the tabs using the 1/4" x 2" bolt referenced in Step 3 to secure the pipe within the band. (See Fig. 2)
10. Secure length of pipe to assembly by using two 1/8" x 1/2" stainless steel screws (provided) through two of the small attachment holes of the Universal Band shown in Fig.1. Seal the screws with silicone sealant.
11. If using a Tee, make sure the Tee Cap is installed and supported with Retainer Clip as shown in Fig 5. and Fig 6.



NOTE: Make sure Retainer Clip is located in center of pipe and straddles the Tee Plug handle

UWRS #0015149