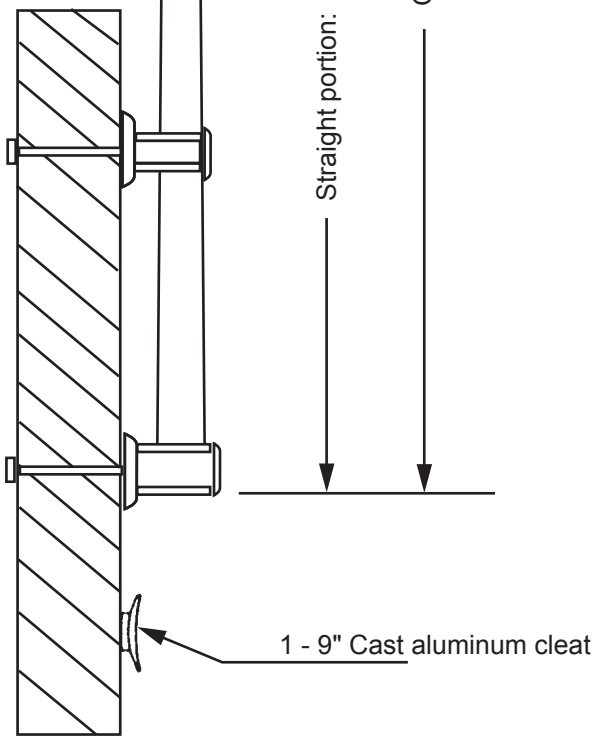
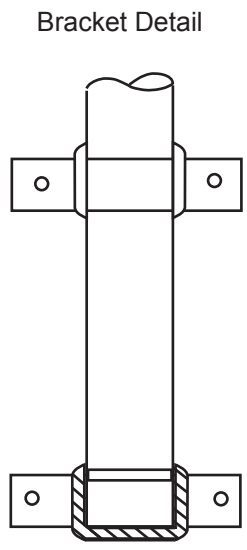
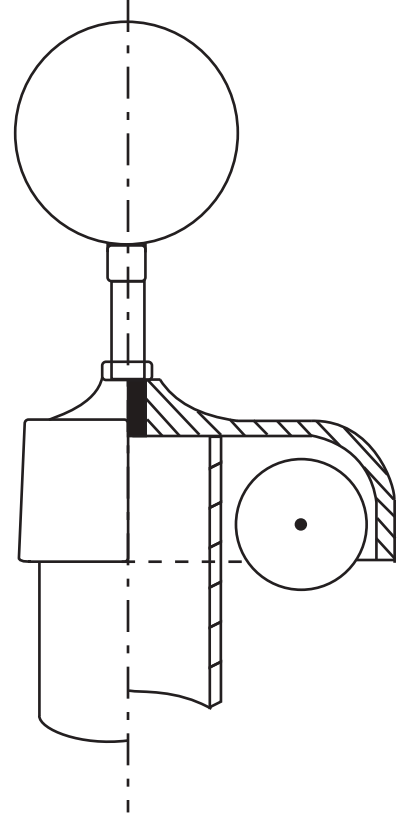
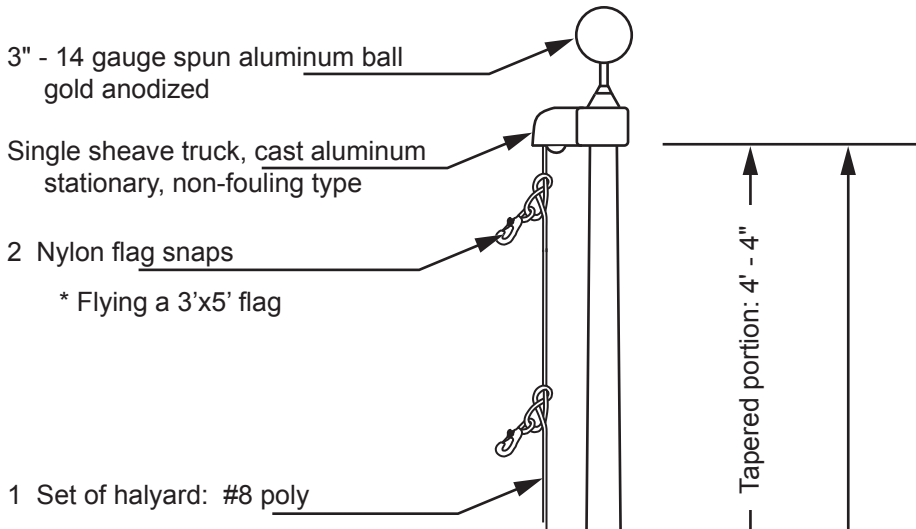


# Model EVWS 12



Note:  
Mounting Hardware  
by others

Project:	Tapered aluminum flagpole: ALLOY: 6063T6	EDER FLAG	Date:
Location:	Exposed height: 12' - 0"	MANUFACTURING COMPANY	Revision:
Architect:	Ship in 1 section Butt diameter: 3"	1000 W. Rawson Avenue	
Contractor:	Top diameter: 1-7/8" Wall thickness: .125"	Oak Creek, WI 53154	
Customer:	Finish: 100 grit high polish - Satin		Job:

**DIAGRAMS ARE GUIDELINES ONLY: Parts indicated may not be included with your pole.**