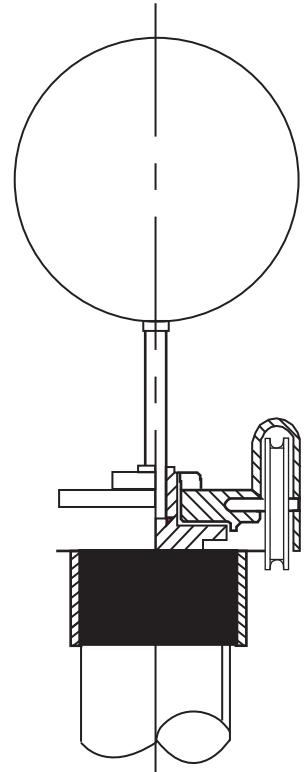
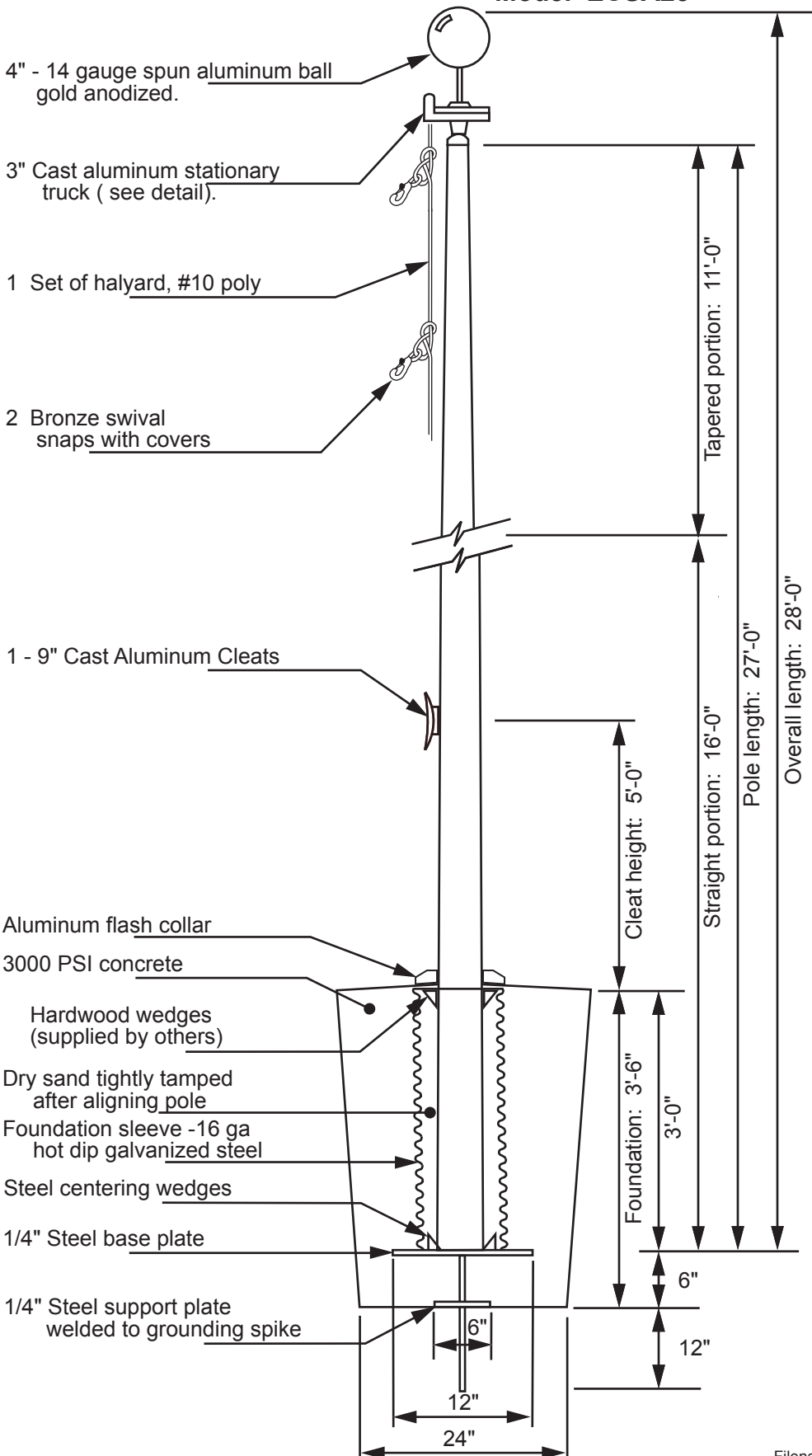


Model ECSA25

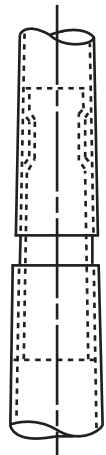


Truck Detail
Non-fouling
Cast Aluminum
Nylon sheave

All shafts with overall length of more than 38'-6" are shipped in two sections.

Each section matched marked for field assembly. Exposed portion of jam sleeve must be **well lubricated** prior to assembly.

1-1/2" maximum shop gap allowed for field fitting (ram for tight joint)



Filename: ECSA25 stationary truck_Atlas.ai

Project:	Ground set tapered aluminum flagpole: ALLOY: 6063T6	EDER FLAG	Date:
Location:	Exposed height: 25'-0"	Overall height: 28'-0"	MANUFACTURING COMPANY
Architect:	Ship in 1 section	Butt diameter: 4"	1000 W. Rawson Avenue
Contractor:	Top diameter: 2-3/8"	Wall thickness: .125"	Oak Creek, WI 53154
Customer:	Finish: 100 grit polish		Job:

DIAGRAMS ARE GUIDELINES ONLY: Parts indicated may not be included with your pole.