



Model ECXP60-Y

10" - 14 gauge spun aluminum ball gold anodized

Single sheave truck, cast aluminum revolving, non-fouling type

2 Bronze swivel snaps with covers per halyard

3 Sets of halyard: #10 poly

14' Yardarm

3 - 9" Cast aluminum cleat

Aluminum flash collar

3000 PSI concrete

Hardwood wedges (supplied by others)

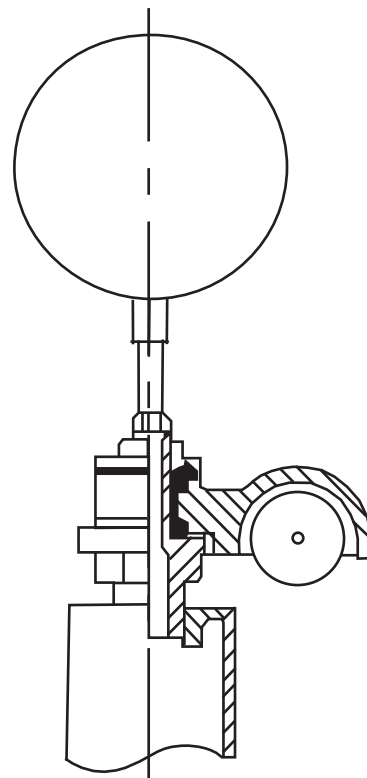
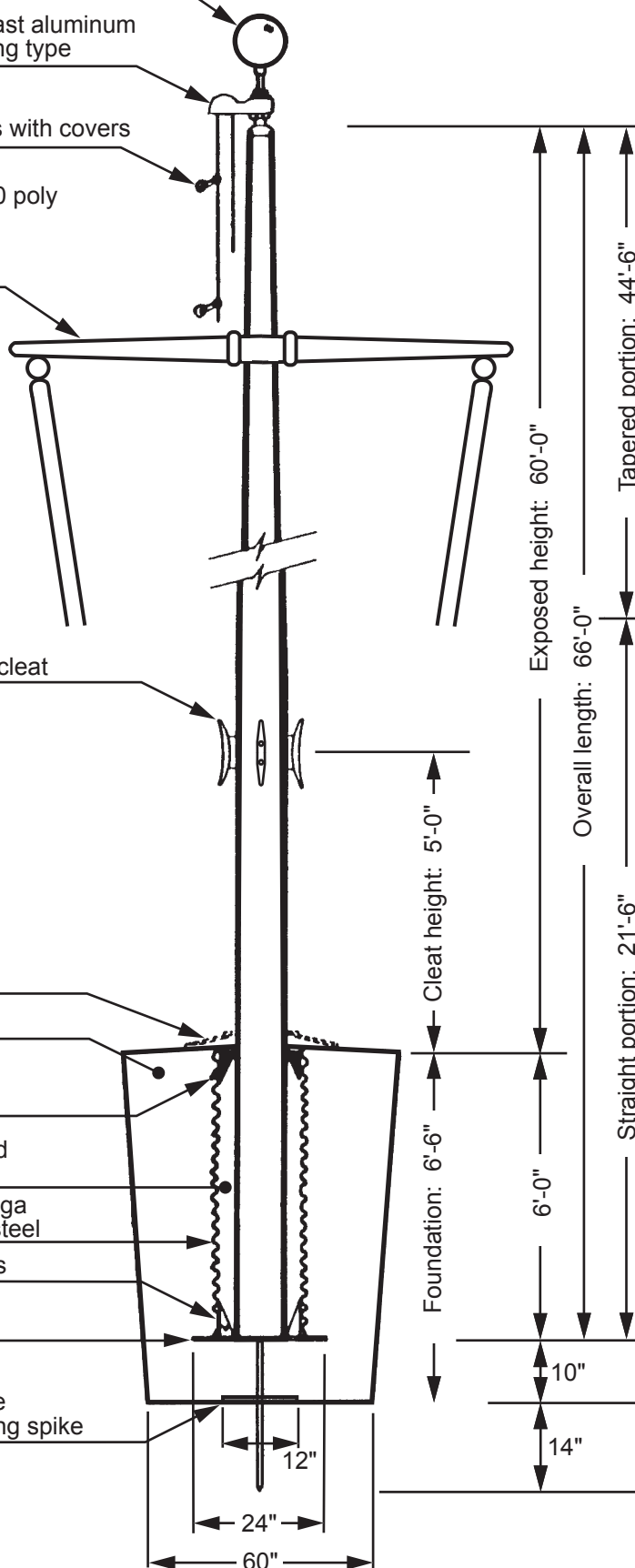
Dry sand tightly tamped after aligning pole

Foundation sleeve -16 ga hot dip galvanized steel

Steel centering wedges

1/4" Steel base plate

1/4" Steel support plate welded to grounding spike



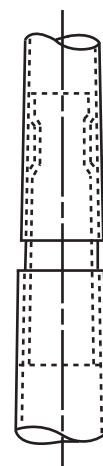
Truck Detail

Aluminum body
Stainless steel ball bearings
Aluminum sheave
Cast aluminum spindle

All shafts with overall length of more than 38'-6" are shipped in two sections.

Each section matched marked for field assembly. Exposed portion of jam sleeve must be **well lubricated** prior to assembly.

1-1/2" maximum shop gap allowed for field fitting (ram for tight joint)



Project:	Ground set tapered aluminum flagpole: ALLOY: 6063T6	EDER FLAG	Date:
Location:	Exposed height: 60'-0"	Overall height: 66'-0"	MANUFACTURING COMPANY
Architect:	Ship in 3 section	Butt diameter: 10"	1000 W. Rawson Avenue
Contractor:	Top diameter: 4"	Wall thickness: .188"	Oak Creek, WI 53154
Customer:	Finish: 100 grit polish		Job:

DIAGRAMS ARE GUIDELINES ONLY: Parts indicated may not be included with your pole.