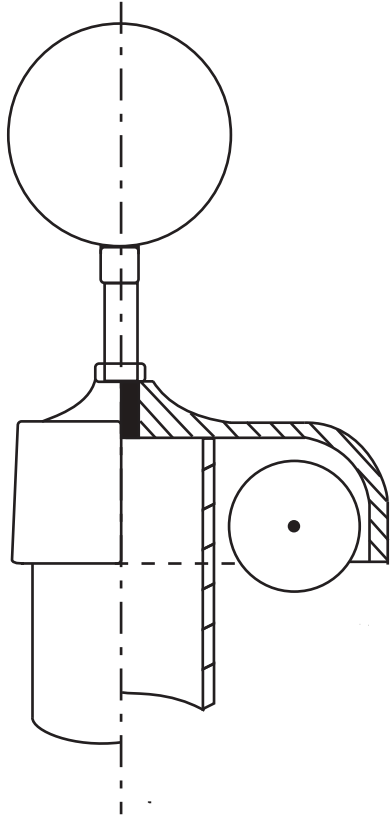
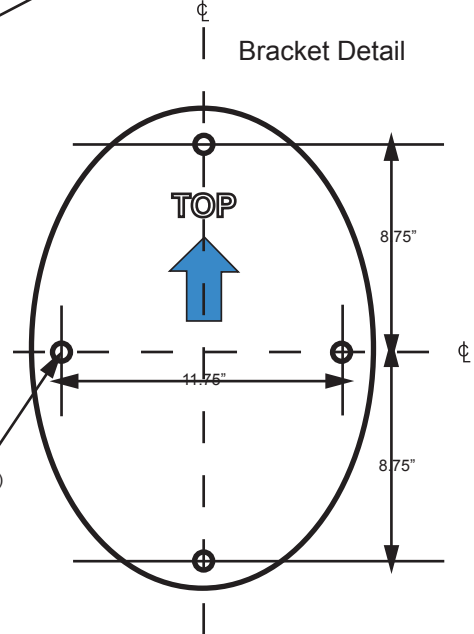
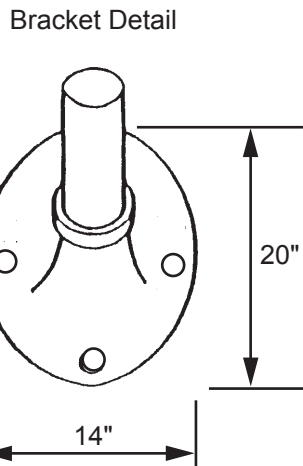
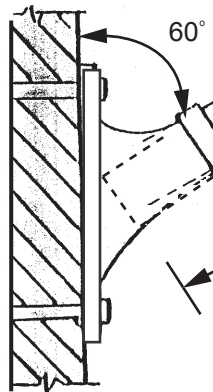
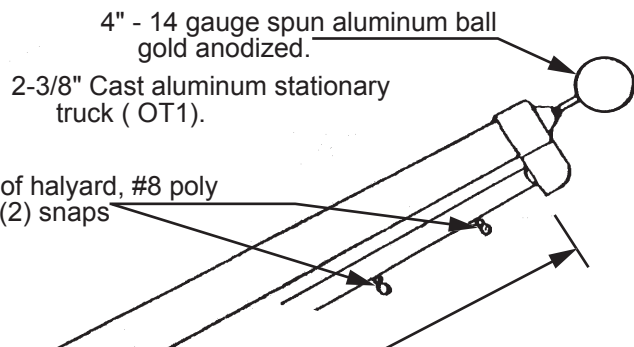


Model ECO16



Stationary Truck Detail
Cast Aluminum body



Note:
All Dimensions +/- .125"

Project:	Ground set tapered aluminum flagpole: ALLOY: 6063T6	EDER FLAG	Date:
Location:	Exposed height: 16'-0"	Overall height: 16'-0"	Revision:
Architect:	Ship in 1 section	Butt diameter: 3-1/2"	
Contractor:	Top diameter: 2-3/8"	Wall thickness: .125	
Customer:	Finish: 100 grit polish		Job: