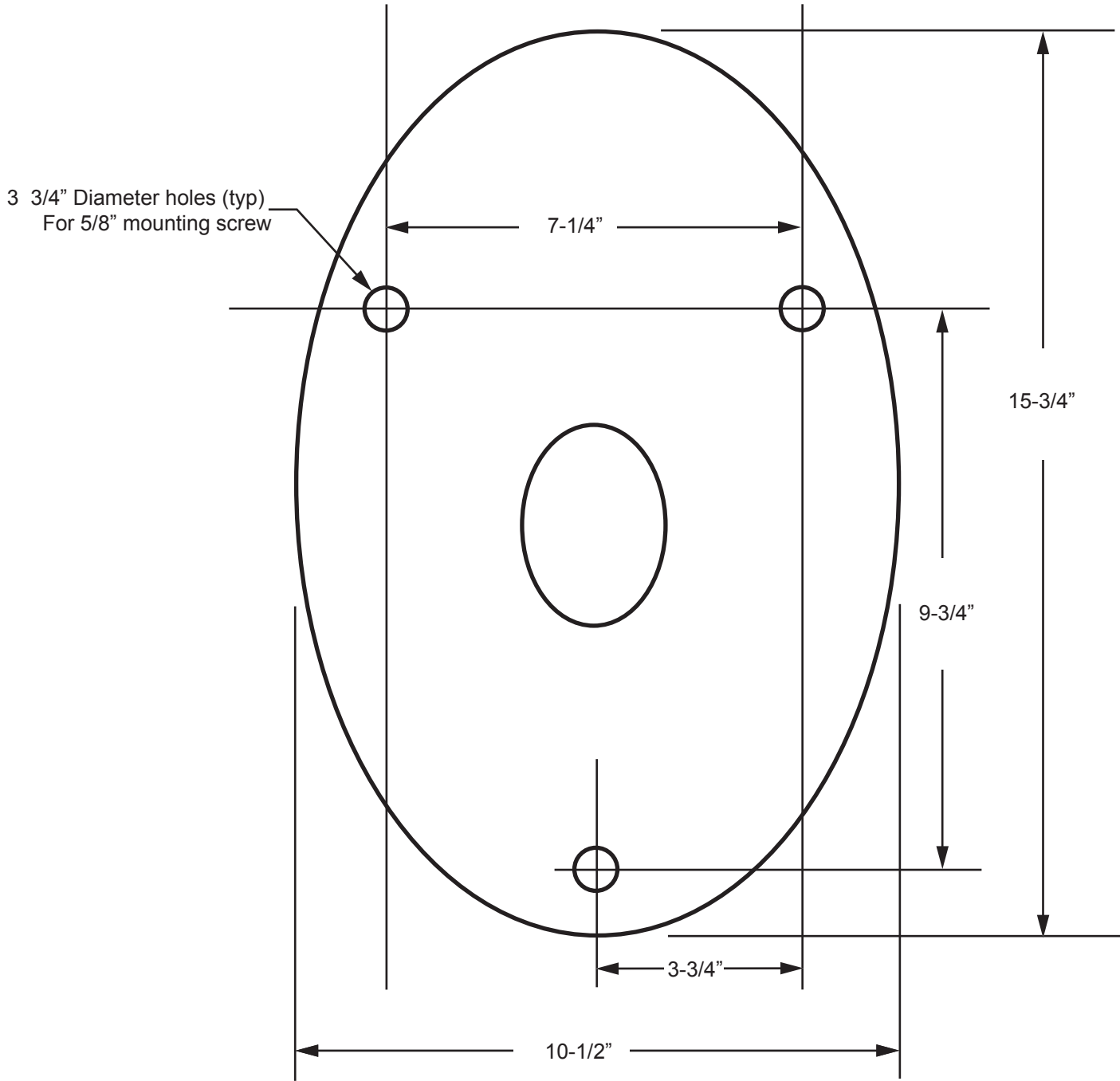


**Template**  
ECOM 2-3/8" Diameter Poles



Note:

Due to manufacturing variability all dimensions are +/- .0625 (1/16")