

# Instructions for In-Ground "The Classic" models



**MADE IN U.S.A.**

**America Show Your Colors!**

## Tools and Materials Needed:

- Post Hole Digger
- Level
- Ruler or tape measure
- 1 80# bag of quick setting cement
- 1/2 Gal. of gravel
- Mixing container

1. Select flagpole location. Check for underground sprinkler water lines and electrical lines before you dig.

2. Dig a 22" hole with a tapered diameter, see diagram below.

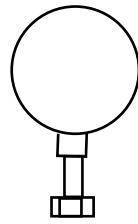
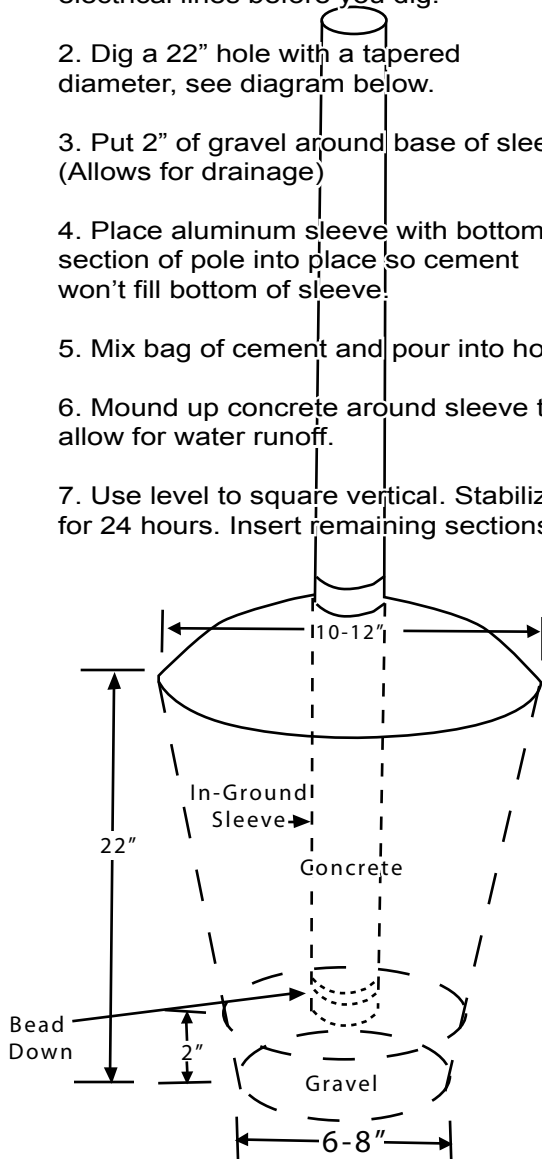
3. Put 2" of gravel around base of sleeve, (Allows for drainage)

4. Place aluminum sleeve with bottom section of pole into place so cement won't fill bottom of sleeve.

5. Mix bag of cement and pour into hole.

6. Mound up concrete around sleeve to allow for water runoff.

7. Use level to square vertical. Stabilize for 24 hours. Insert remaining sections.



## Parts included:

- 1 polished aluminum ball with shaft
- 1 top flagpole section, (has truck pulley top).
- 2 nylon clips
- 3-5 flagpole sections (depending on height of pole purchased).
- 1 rope
- 1 aluminum, pre-mounted cleat
- 1 aluminum in-ground sleeve
- 1 3'x5' sewn nylon flag

## Note:

For flying a second flag, use two extra clips (not included).

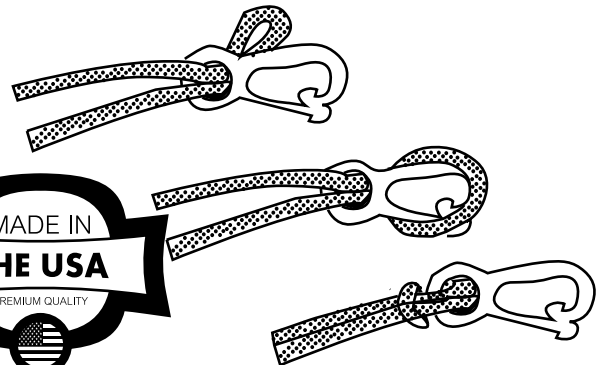
**C21 Kit Weight: 13 lbs.**

**C17 Kit Weight: 12 lbs.**

**C13 Kit Weight: 11 lbs.**

## Attaching Halyard (Only for poles with a rope)

1. Bring halyard through loop as shown at the mid-length of the halyard.
2. Loop in second clip 36" below first clip.
3. Tie the halyard together and after pole assembly is placed upright, latch halyard to cleat.



For parts and service  
**EZPOLE®** Flagpole 1489 East 363rd St., Eastlake, OH 44095  
 Toll Free (888) 454-9164 ph:(440) 951-1011, fx:(440) 951-2933  
[www.EZPOLE.com](http://www.EZPOLE.com)