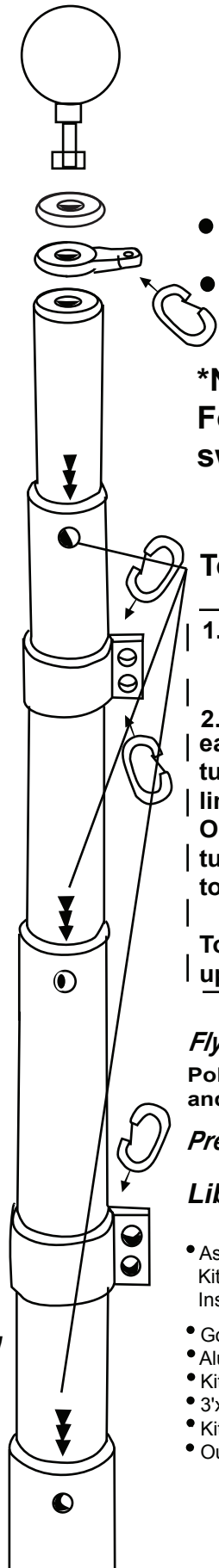
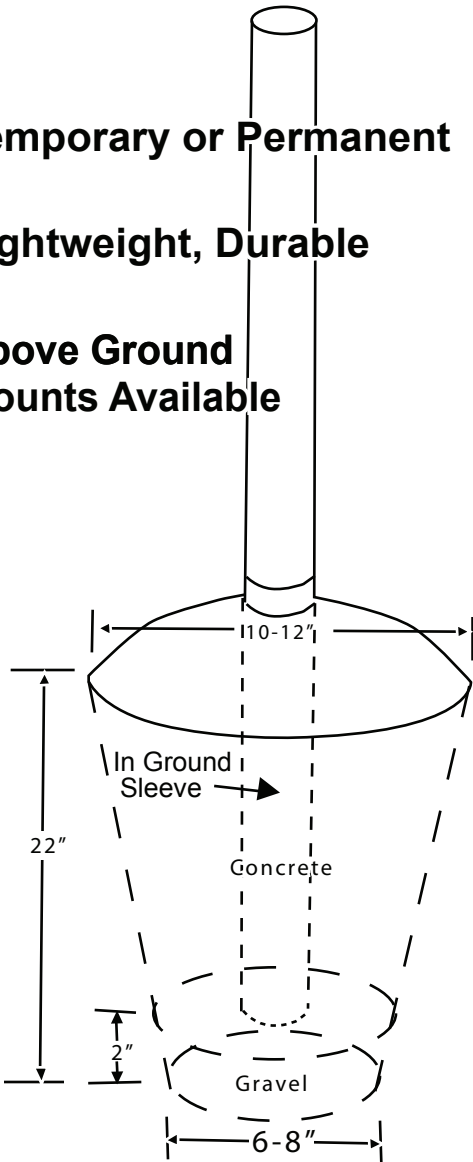


# Instructions for In-Ground **EZPOLE®** Flagpoles "The Liberty" Telescoping Flagpole model

**MADE IN U.S.A.**  
**America Show Your Colors!**

- Tools and Materials Needed:**
- Post Hole Digger
  - Level
  - Ruler or tape measure
  - 1 80# bag of quick setting cement
  - 1/2 Gal. of gravel
  - Mixing container

- Temporary or Permanent
- Lightweight, Durable
- Above Ground Mounts Available



**New Patented Design**  
**No Drop Posi-Loc® 17' - 21'**

- Dual-locking system prevents pole collapse
- Never Rust Anodized Polished Aluminum

**\*Note:**  
**For Flying at half staff clip flag to swivel sleeves only.**

- To raise and lower pole**
1. Extend top section (pull up smallest diameter pole first).
  2. To engage **No Drop Posi-Loc®** on each section, hold lower pole still while turning upper pole clockwise until arrows line up with button hole on lower pole. Once button snaps into position, turn upper pole back counter clockwise to lock section. Repeat for the two sections.
- To lower pole, disengage button and turn upper pole clockwise.**

**Fly 2 Flags up to 3'x5' and at Half Staff**  
Pole section diameters range between 2.5" and 1.75" to create true, tapered-pole look!  
**Precision built.**

- Liberty Kit Contents:**
- Assembled Telescoping Flagpole Hardware Kit- Stainless Steel clips, Instruction Sheet & Flag Etiquette Pamphlet
  - Gold Anodized Aluminum Ball
  - Aluminum Ground Sleeve
  - Kit includes four stainless steel clips
  - 3'x5' Nylon Sewn American Flag
  - Kit Weight- 17"= 14 lbs., 21"= 16 lbs.
  - Our "No-Wrap" swivel system

**Simple twist-and-button lock system!**



**EZPOLE® Exclusive**  
**No-Wrap Swivel System**  
**Flag Flies 360° Around Pole**  
**Rope-Free**  
**Telescoping for Flag**  
**Easy Access**