

KStrong® 6 ft. Micron™ SRL with Snap Hook (ANSI) - Harness Connector Included

Model: UFS350002

MICRON™

SRL SERIES

KStrong® 6 ft. Micron™ Lightweight SRL with one (1) snap hook at anchor end (ANSI). Includes one (1) quarter turn locking carabiner (UFC401101).

PHYSICAL PARAMETERS

- Lightest available SRL in its range/class
- Robust & durable plastic casing
- Dyneema Webbing with Energy absorber
- Steel snap hook at attachment end

LENGTH

6 ft.

WEBBING

Material: Dyneema Webbing 13/16" (21mm)
Min. Breaking strength: 4500 lbs.

WEIGHT

3.51 lbs. ± 0.22 lbs. (1592 gm ± 100 gm)

USER CAPACITY

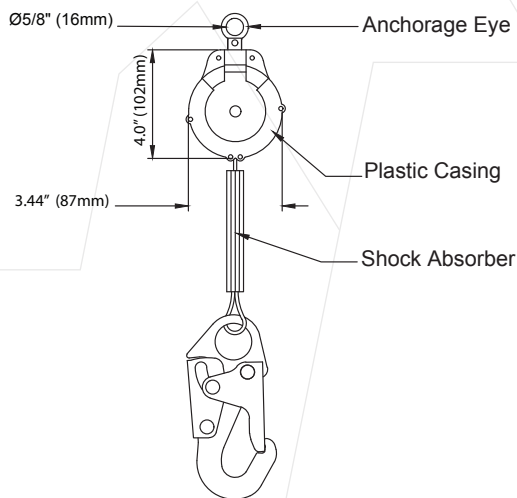
OSHA Working Load Capacity: 420 lbs.
ANSI Working Load Capacity: 310 lbs.

RELEVANT STANDARDS

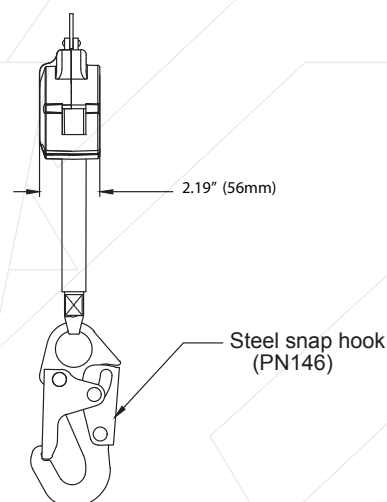
Meets or Exceeds ANSI Z359.14-2014 CLASS A



FRONT VIEW



SIDE VIEW



Meets or Exceeds ANSI Z359.14-2014 CLASS A