

KStrong® BRUTE™ 11 ft. Web SRL with snap hook. Includes installation carabiner (ANSI)

Model: UFS350011

KStrong® BRUTE™ 11' Web SRL with High Impact Strength Polymer Housing with Built-in Handle, swivel eye at anchorage end, other end with load indicator swivel snap hook. Includes one (1) installation carabiner (ANSI)

BRUTE™

SRL SERIES

DESIGN

- Robust & durable plastic casing.
- Has anchorage handle at anchorage end.
- Steel swivel hook at retractable end (Our ref. PN 144 as per ANSI Z359.12:2009 gate strength 3600 lbs. (1633 kg))
- Polyester Webbing.

LENGTH

11 ft.

WEBBING

Material : Polyester Webbing 1 Inches.
Minimum Breaking strength : 4500 lbs. (2041 kg).

WEIGHT

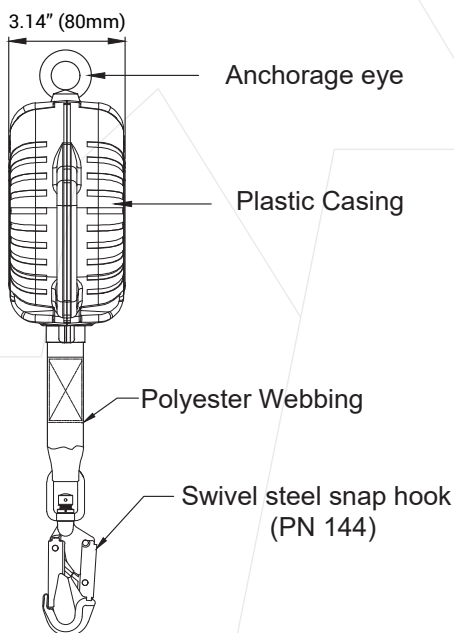
5.44 lbs. ± 0.22 lbs. (2468 gm ± 100 gm)

RELEVANT STANDARDS

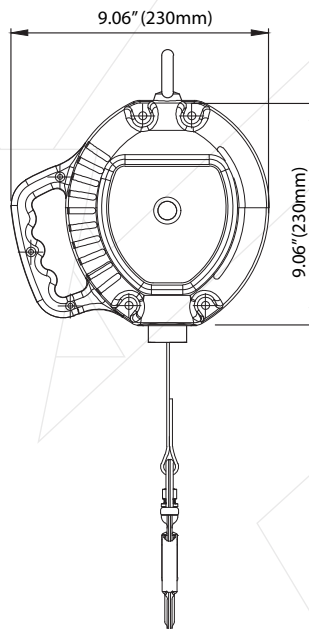
Meets or Exceeds ANSI Z359.14-2014 CLASS B



SIDE VIEW



FRONT VIEW



Meets or Exceeds ANSI Z359.14-2014 CLASS B