

# LED Ceiling Light SPECIFICATION



**15W**

SKU 786564  
SKU 786565  
SKU 786566  
SKU 786567

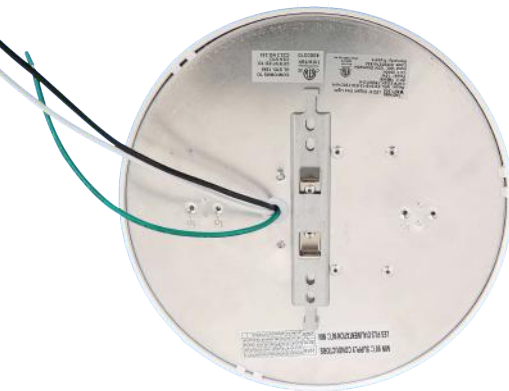


## Advantages

- Quick, easy installation.
- Dimmable and frosted lens.
- 50,000 hour lifespan.
- Suitable for Damp Locations.
- Available in 6" and 8".
- 5 Year Warranty.

## Application

- Ceiling fixture installed in residential locations.
- Anywhere Additional lighting may be needed.



## Specifications

### Optical Specifications

<b>SKU Number</b>	786564	786565	786566	786567
<b>Size</b>	6"	6"	8"	8"
<b>Lumens</b>	1000Lm	1000Lm	1000Lm	1000Lm
<b>Wattage</b>	15W	15W	15W	15W
<b>Color Temperature</b>	3000K	5000K	3000K	5000K

### Electrical Specifications

<b>Input Voltage</b>	100-277VAC
<b>Input Current</b>	0.14A
<b>PF</b>	≥0.9

### Other Specifications

<b>Lifespan</b>	50,000 Hours
<b>Lens Color</b>	Frosted
<b>Body Material</b>	PC Base

### Dimensions

Product SKU	Product Length	Size
786564 & 786565	6"	8" x 0.7"
786566 & 786567	8"	8" x 0.7"

# LED Indoor Luminaires

## Flush Mount

### 120VAC / 60Hz

## Safety Precautions

- Read all safety precautions and installation instructions carefully before installing or servicing this fixture. Failure to comply with these instructions could result in potentially fatal electric shock and/or property damage.
- It is recommended that a qualified electrician perform all wiring. This fixture must be wired in accordance with all national and local electrical codes.
- Do not handle any energized fixture or attempt to energize any fixture with wet hands or while standing on a wet or damp surface or in water.
- This fixture is designed for use in a 120VAC, 60Hz fused circuit. This fixture is compatible with 2-wire TRIAC dimmers.
- Make sure that the power source conforms to the requirements of the fixture. (See labels on the fixture housing).
- To reduce the risk of electrical shock, and to assure proper operation, this fixture must be adequately grounded. To accomplish proper grounding, there must be a separate ground wire (green) contact between this fixture and the ground connection of your main power supply panel.
- This fixture is intended to be used for general indoor lighting in dry, damp or wet locations. For wet application, it must be mounted at least 48 inches above the ground level (not suitable for submersion). For outdoor use, it must be under covered ceiling mount only.
- Disclaimer  
Changes or modifications not expressly approved by the party responsible for compliance could void the user's authority to operate the equipment. NOTE: This equipment has been tested and found to comply with the limits for a Class B digital device, pursuant to Part 15 of the FCC Rules and Canadian ICES-005 (B) / NMB-005 (B). These limits are designed to provide reasonable protection against harmful interference in a residential installation. This equipment generates uses and can radiate radio frequency energy and, if not installed and used in accordance with the instructions, may cause harmful interference to radio communications. However, there is no guarantee that interference will not occur in a particular installation. If this equipment does cause harmful interference to radio or television reception, which can be determined by turning the equipment off and on, the user is encouraged to try to correct the interference by one or more of the following measures:
  - Reorient or relocate the receiver antenna.
  - Increase the separation between the equipment and receiver.
  - Connect the equipment into an outlet on a circuit different from that to which the receiver is connected.
  - Consult with the dealer or an experienced radio/TV technician for help.

Any modifications to this fixture may void the warranty and interfere with the safe operation of the luminaire.

Operation is subject to the following two conditions: (1) this device may not cause interference, and (2) this device must accept any interference, including interference that may cause undesired operation of the device.

## Assembly Instructions

### 1. Preparing for installation.

- A. **Disconnect electrical power** before installing or servicing any part of this fixture
- B. Remove fixture from carton; remove components from hardware kit.
- C. Install the gem bar (1) to the junction box (not included) with two #8-32 screws (2) through the corresponding slots to secure it.
- D. Make sure the wires coming out of the junction box are on only one side of the gem bar.

### 2. Wiring.

**All wiring must take place inside junction box. Caution:** Make sure power is off at fuse or circuit breaker box. Check power wires for damage or scrapes. If the power supply wires are within three inches of the driver, use a wire suitable for at least 90°C (194°F). **Note:** Most dwellings built before 1985 have supply wire rated to 60°C. Consult a qualified electrician before installing.

- A. This unit will not operate properly unless connected to a "grounded" electrical circuit. Electrical shock, over heating, low or no light output, and shortened LED life can result if proper grounding is not done. Securely attach power source ground wire to the green wire from the fixture with a wire nut.
- B. Make all wire connections to appropriate wire. Secure with wire nuts (provided).
- C. Connect white fixture lead to white (N) wire from supply power source.
- D. Connect black fixture lead to black (L) wire from supply power source.
- E. **Do not mix wires.** Pull on each wire lead to make sure connections are secure. Make certain no bare wires are exposed outside of wire connectors. Tuck all connections neatly into junction box.

### 3. Fixture mounting.

- A. Make sure the wires coming out of the fixture are on the same side of the clip as the side of the gem bar the wires from the junction box are coming from.
- B. Line up the prongs of the clip on the fixture (3) with the square holes in the gem bar (1).
- C. Push up until the clip locks securely into place. Note: Some models are side mounted with screws to secure fixture to the mounting bracket (1). Plugs are included to hide side screws.
- D. **For wet application**, apply a small bead of silicone (not included) per manufacturer's instruction around the perimeter of the fixture (3) where it contacts with the surface of the wall.

### 4. Power to the fixture can now be restored.

Round version shown for reference only. Individual models may vary.

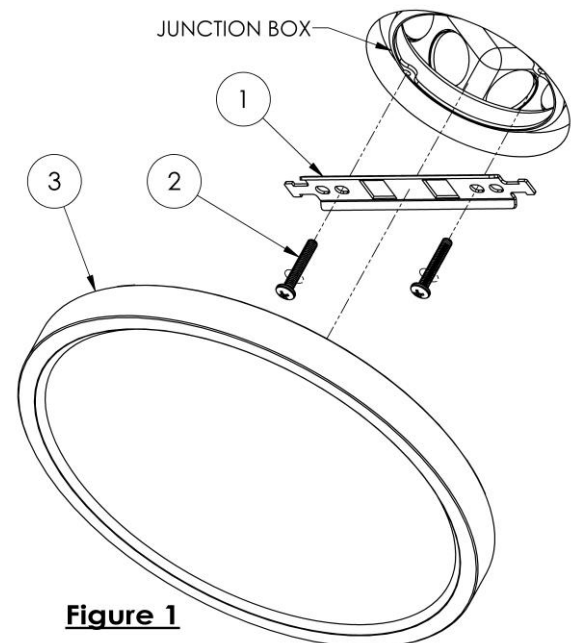


Figure 1

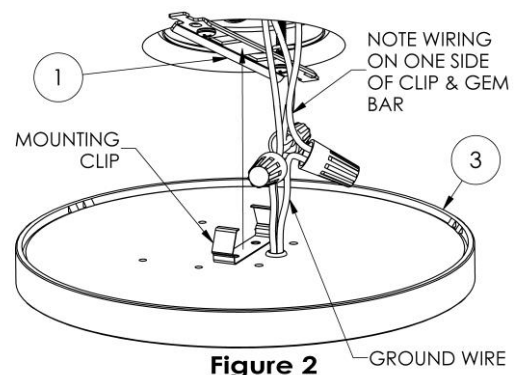


Figure 2

# LED Square Panel Light SPECIFICATION



**18W**  
SKU 786571

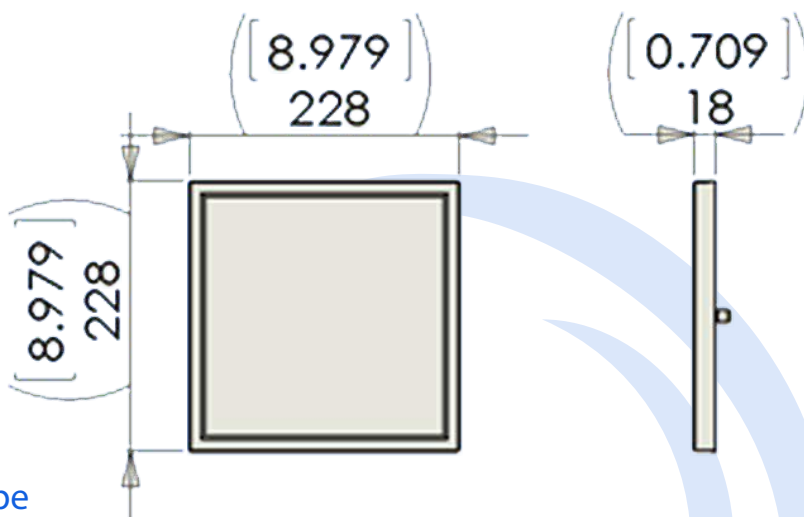


## Advantages

- Easy to install and operate
- Energy saving and long lifespan
- Dimmable and soft, uniform light
- Suitable for Damp Locations
- 5 Year Warranty

## Application

- Anywhere Additional lighting may be needed.
- Residential areas.



## Specifications

### Optical Specifications

<b>Input Power</b>	18W
<b>Lumens Per Watt</b>	67 LM / W
<b>Lumens</b>	1200Lm
<b>Color Temperature</b>	3000K

### Electrical Specifications

<b>Input Voltage</b>	100-277VAC
<b>PF</b>	≥0.95
<b>THD</b>	<30%
<b>Color Rendering Index</b>	Ra ≥ 90

### Other Specifications

<b>Lifespan</b>	30,000 Hours
<b>Color</b>	White / Transparent
<b>Housing Material</b>	PC + ABS

### Dimensions

<b>Product SKU</b>	<b>Size</b>
786571	9" x 9"