



2*9W **2*18W**



DESCRIPTION

Power	LED Brand	Heat sink	Size	Driver	CCT	Light Color	Certification
2*9W; 2*18W	COB	Dedicated	+ D*H=108mm*300mm + D*H=145mm*300mm	Waterproof built-in driver	3000K; 6000K	Soft White, Daylight	ETL

PLATINUM LED-USA

M: 770-807-1111
E: info@platinumled-usa.com
W: platinumled-usa.com

Headquarter

SOUTH ATLANTA
1159 MT ZION RD MORROW, GA 30260

NORTH ATLANTA
2935 AMWILER RD STE A ATLANTA, GA 30360

UP AND DOWN LED WALL LIGHT SPECIFICATION



Features:

- ※ Designed with the look of traditional wall fixture
- ※ Ability to use in dry and damp location
- ※ High performance LM -80 LED for significant energy saving.
- ※ Double sides up and down light
- ※ 15° /30° /45° /60° beam angles are available
- ※ Multicolors are available: pure white, warm white, yellow, blue, green, pink, purple



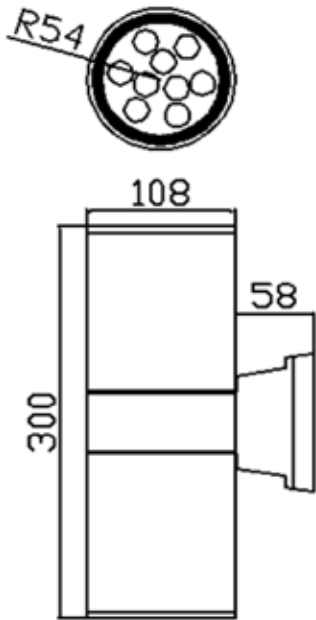
Application:

Hotel, park, corridor, etc.

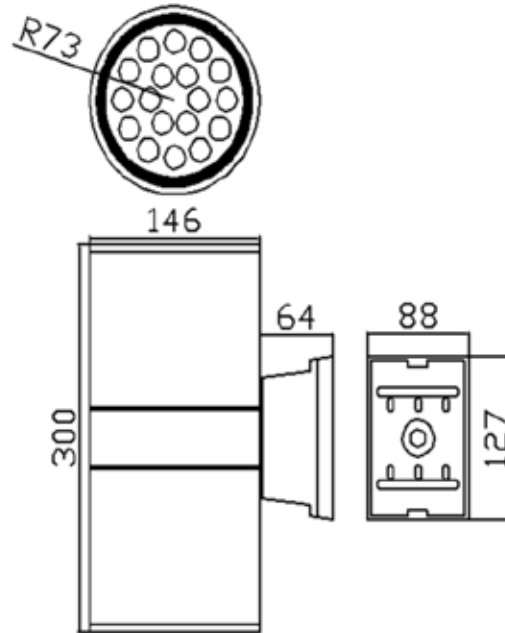
Parameters:

Model No.	MC-TU001-10X	MC-TU001-20X	MC-TU001-30X
Chip Brand	Epistar	Epistar	Epistar
Power	2*9W	2*18W	2*24W
Input Voltage	100-277Vac,50/60HZ		
Available Color	White/green/blue/yellow/pink/purple		
Beam Angle	15° /30° /45° /60°		
Driver Brand	SOSEN UL built-in driver		
Power Factor	>0.95		
Material	Aluminum body & glass cover & aluminum heat sink		
IP Grade	IP65		
Certification	ETL		
Warranty	3years		

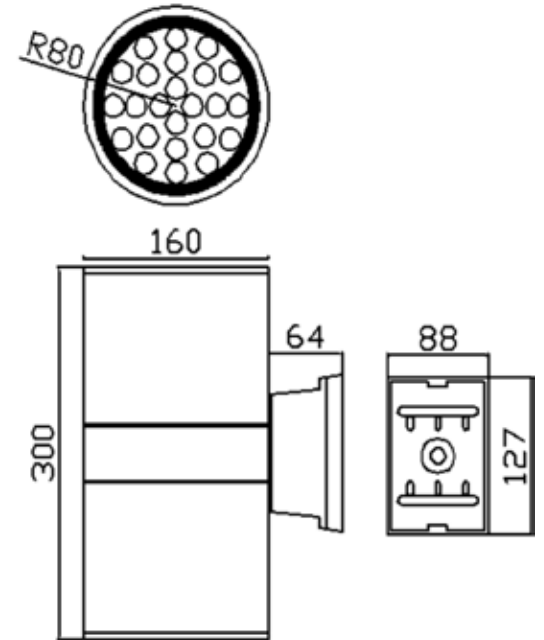
Dimension:



MC-TU001-10X
(2*9W)



MC-TU001-20X
(2*18W)



MC-TU001-30X
(2*24W)

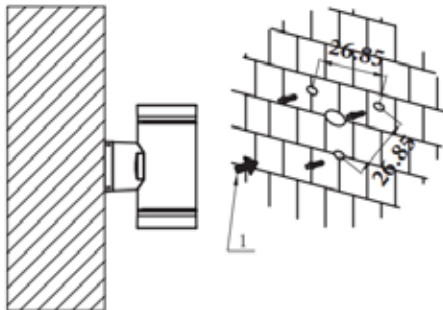
Structure:



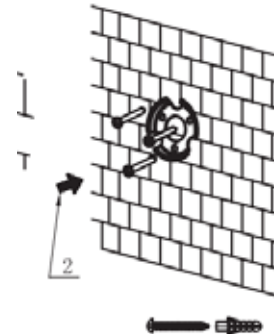
⚠WARNING⚠

WARNING:RISK OF ELECTRICAL SHOCK.TURN OFF POWER BEFORE INSTALLING,REMOVING OR INSPECTING.
WARNING:ALL WIRING TO BE PERFORMED IN ACCORDANCE WITH ELECTRICAL CODE AND LOCAL ELECTRICAL CODE
WARNING:RISK OF FIRE.FIXTURES ARE RATED FOR USE IN 100-277Vac,50-60HZ PROTECTED CIRCUIT AND 90°C RATED SUPPLY WIRE.
WARNING:RISK OF CUT.THE ENCLOSED PRODUCT MAY HAVE SHARP EDGES,WEAR GLOVES TO PREVENT CUTS WHEN HANDING,REMOVING,INSTALLING AND MAINTAINING THIS PRODUCT.

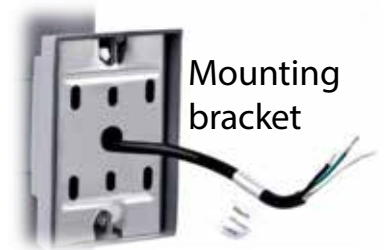
Installation Guide:

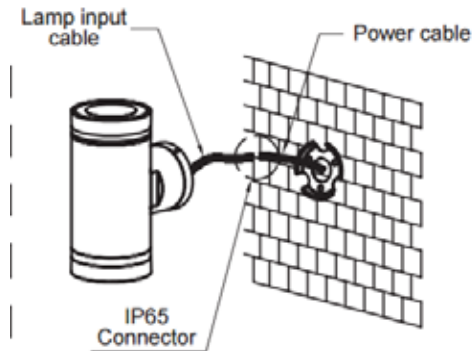


1)Drill 4 holes on the mounting surface according to the sizes shown on the above figure

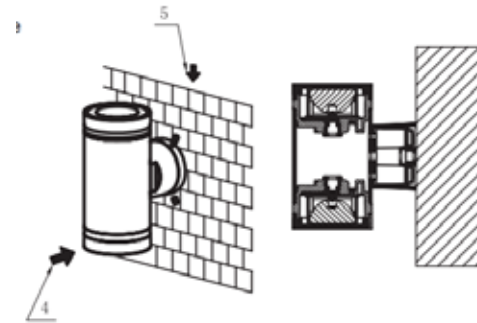


2)Fix the mounting bracket on the mounting face with 4PCS self-tapping screws





3) Connect the lamp input cable and the power cable



4) Fix the lamp onto mounting bracket

5) Tighten the 4PCS screws to fix the lamp housing onto the installation surface

Package:



MC-TU001-10X	MC-TU001-20X	MC-TU001-30X
1PCS/inner box	1PCS/inner box	1PCS/inner box
6PCS/carton	4PCS/carton	4PCS/carton
13.1KGS/carton	15.24KGS/carton	17KGS/carton