



# Up & Down Wall Pack

## Hotel Series



### Hotel Series

Beyond LED's Up & Down Wall Packs provide high luminance, low energy costs, and a long life span. Easy and convient for installation and replacement. Our wall packs have high brightness, good heat emission, and a soft life that isn't hurtful to the eyes. Widely used in conference rooms, stores, houses, offices, and exhibition halls.

- Improves light uniformity and visibility
- Easy installation and operation
- Aluminum base with powder coating and clear glass lens
- Universal 100-277Vac 50-60Hz

<b>Lifespan</b>	25,000 Hours
<b>Input Voltage</b>	100-277 Vac 60 Hz

**24W - SKU #786575**

**24W - SKU #786576**

# Up & Down Wall Pack

## Hotel Series

### Hotel Series

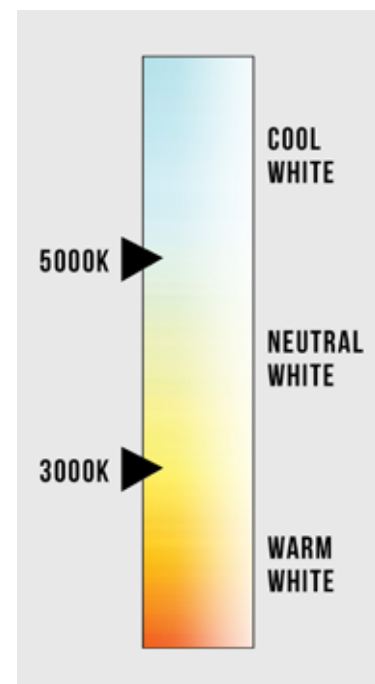
SKU #	Model #	Watts	Lumens	CCT	IP Rating	Dimmable	Certifications
786575	786575	24W	2000Lm	3000K	IP65	No	ETL
786576	786576	24W	2000Lm	5000K	IP65	No	ETL

### Specifications

Input Voltage	100-277VAC 60Hz
PF	≥0.95
IP Rating	IP65
Color Rendering Index	Ra ≥ 90



### CORRELATED COLOR TEMPERATURE (CCT)



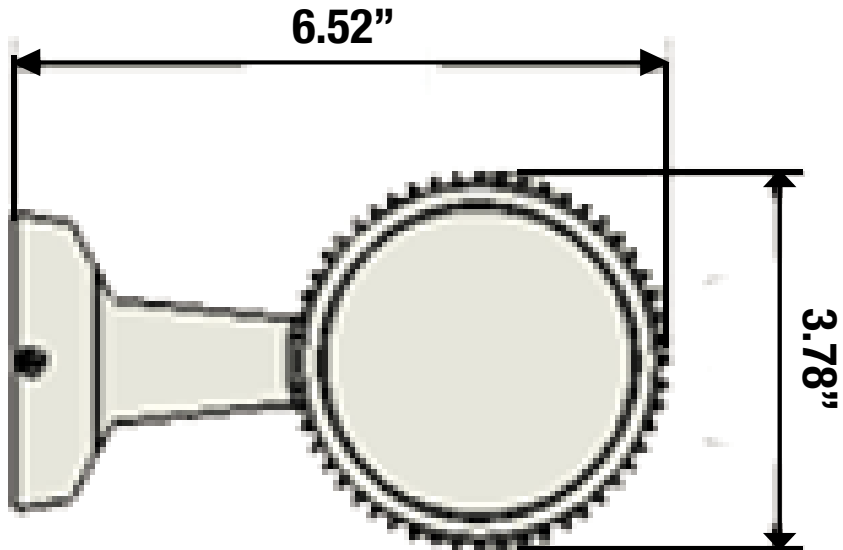
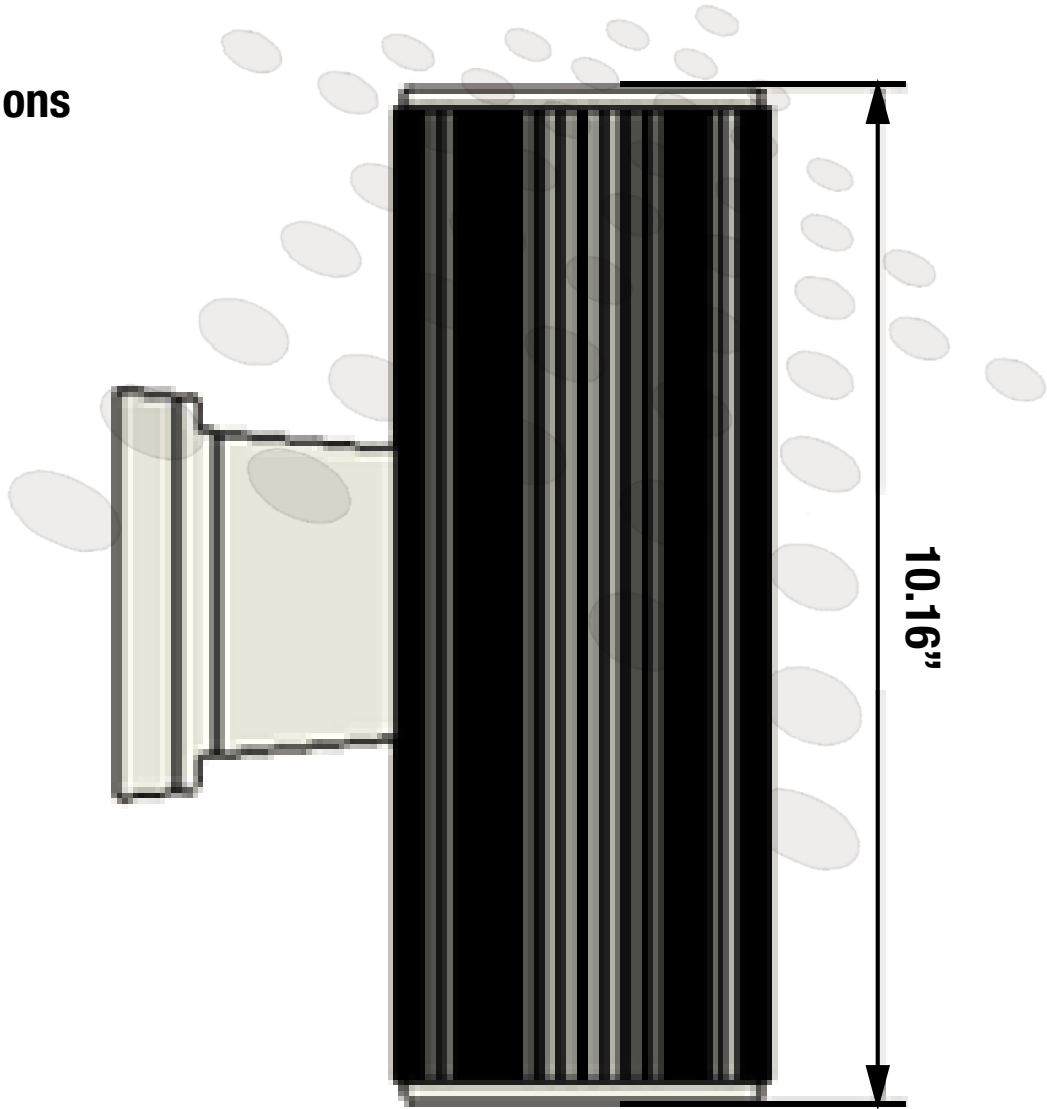
(866) 786-1117 • [www.BeyondLEDTechnology.com](http://www.BeyondLEDTechnology.com)

Due to continuous product improvement, information in this document is subject to change.

# Up & Down Wall Pack

## Hotel Series

### Dimensions

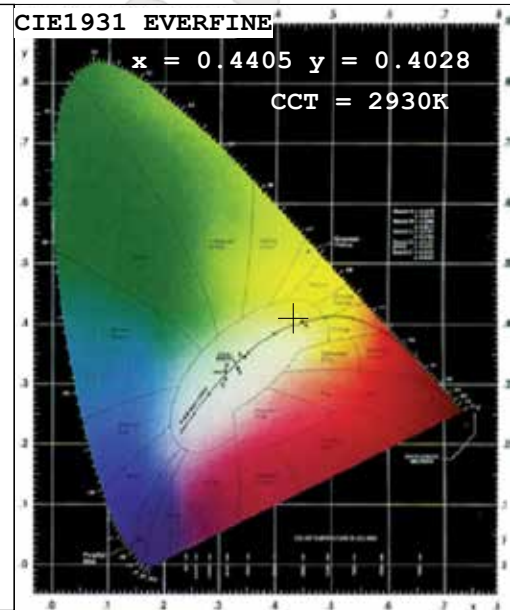
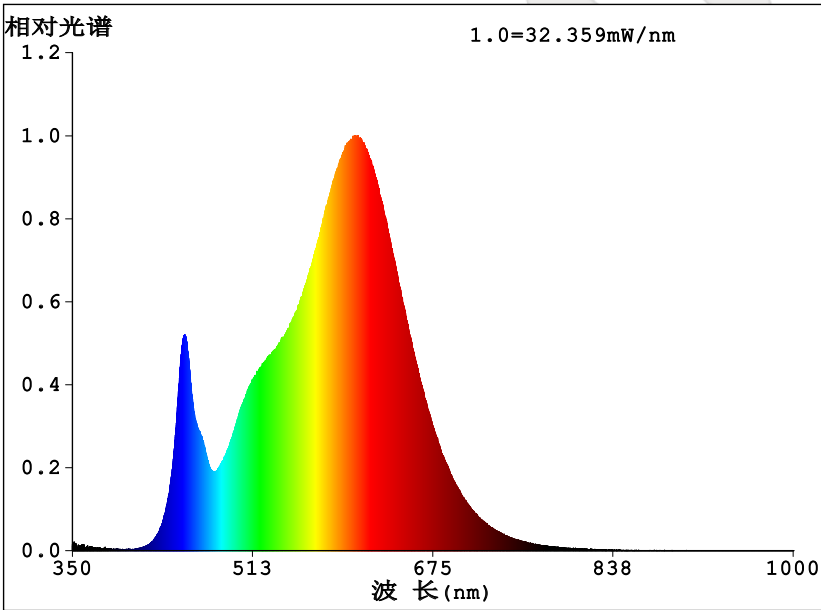


# Up & Down Wall Pack

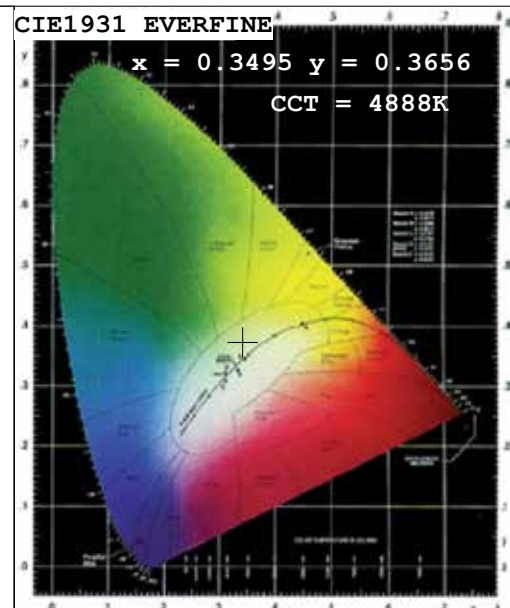
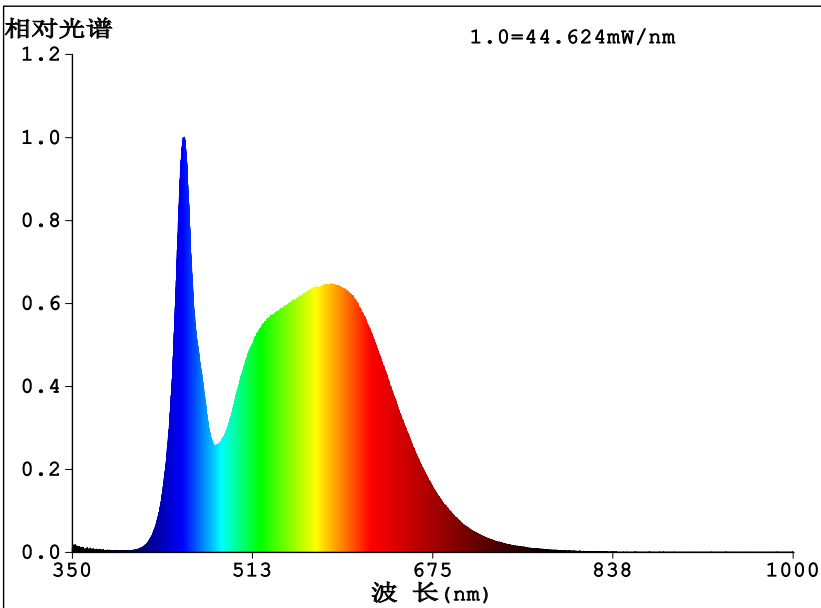
## Hotel Series

### Distribution Diagram

3000K - SKU #786575



5000K - SKU #786576



OUTDOOR: LED WALL PACKS

# Up & Down Wall Pack

## Hotel Series

### Application



Beyond LED Technology | 1939 Parker Ct, Stone Mountain, GA, 30087

Due to continuous product improvement, information in this document is subject to change.



# Up & Down Wall Pack

## Hotel Series

### Application



OUTDOOR: LED WALL PACKS

(866) 786-1117 • [www.BeyondLEDTechnology.com](http://www.BeyondLEDTechnology.com)

Due to continuous product improvement, information in this document is subject to change.