



# SMART PORT LED

## KTS-PIR1-12V-AUX

SMART PORT LED PASSIVE INFRARED (PIR) OCCUPANCY/DAYLIGHT SENSOR

### DESCRIPTION

Smart Port LED Passive Infrared (PIR) Occupancy/Daylight Sensor | 12V Input | 0–10V Output

**5YEAR**  
WARRANTY

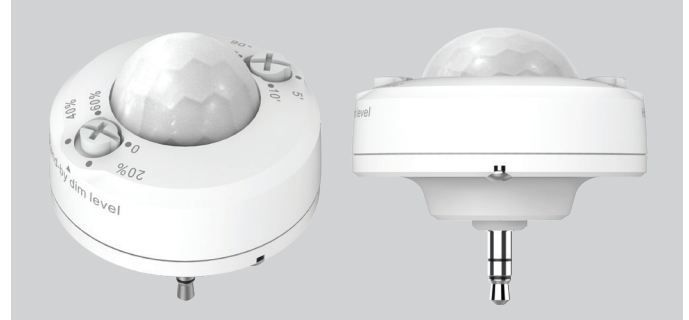
**INPUT VOLTAGE:** 12V ± 2V

**OUTPUT VOLTAGE:** 0–10V

**OPERATING CURRENT:** 20mA

**DIMMING:** Adjustable standby levels

**WARRANTY:** 5 Years



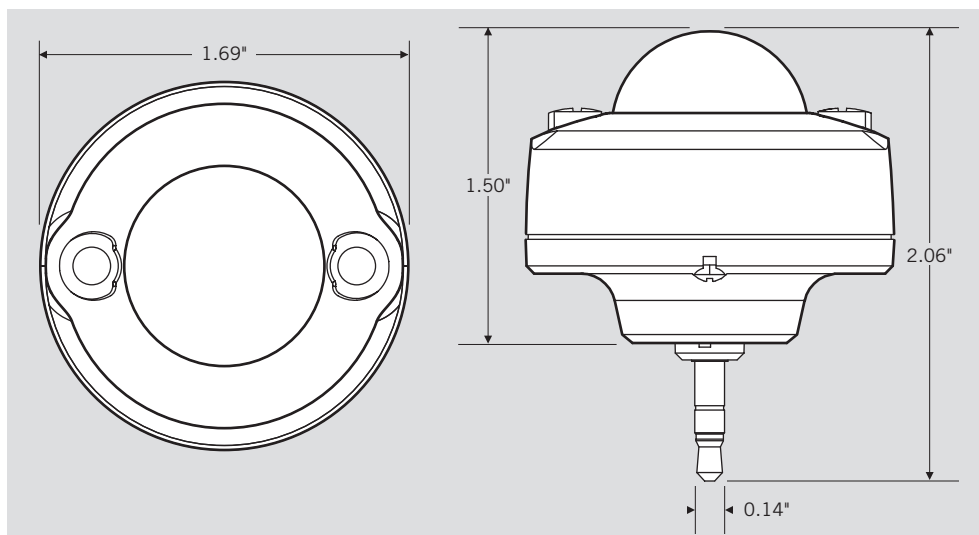
### PRODUCT FEATURES

- Smart Port LED PIR Occupancy/Daylight Sensor
- On/Off with adjustable standby dimming level and fixed daylight threshold
- 12V input
- 3.5mm standard AUX port connection method
- Operating temperature range: -20°C/-4°F to 60°C/140°F
- Storage temperature: -20°C/-4°F to 40°C/104°F
- IP 20

### PERFORMANCE SPECIFICATIONS

Catalog Number	Input Voltage	Output Voltage	Operating Current	Detection Angle	Max Mounting Height	Detection Radius (at Max Mounting height)	Standby Dim Levels	Hold Time Options
KTS-PIR1-12V-AUX	12V	0–10V	20mA	120 degrees	20 ft	13.2 ft	0% 20% 40% 60%	30 sec 90 sec 5 min 10 min

### PHYSICAL SPECIFICATIONS





# SMART PORT LED

## KTS-PIR1-12V-AUX

SMART PORT LED PASSIVE INFRARED (PIR) OCCUPANCY/DAYLIGHT SENSOR

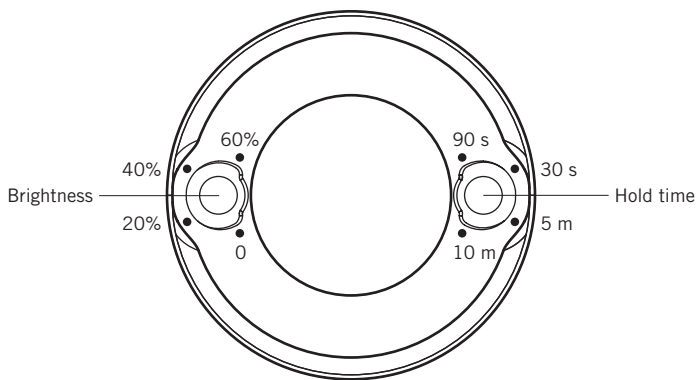
### PRE-INSTALLATION PROGRAMMING

1. **Read and understand all warnings and notes stated below before proceeding with installation.**

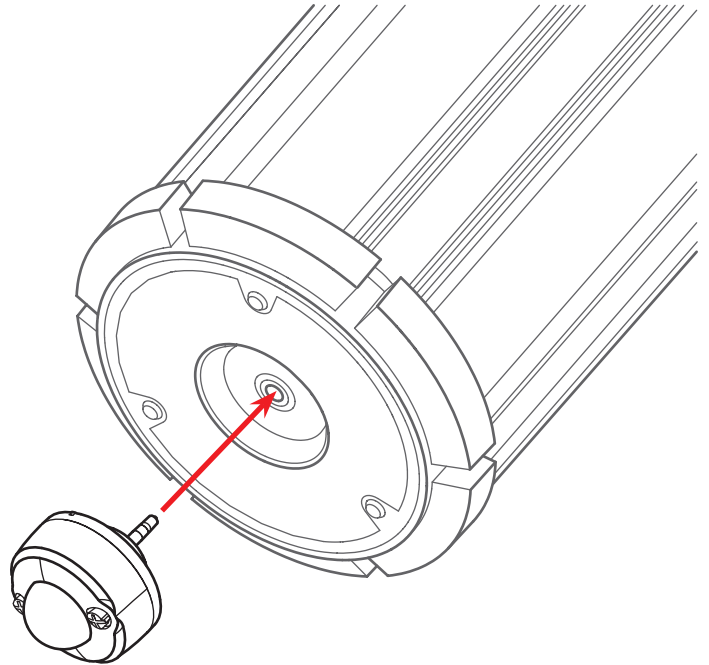
- Operating temperature:  $-20^{\circ}\text{C}/-4^{\circ}\text{F}$  to  $60^{\circ}\text{C}/140^{\circ}\text{F}$
- Storage temperature:  $-20^{\circ}\text{C}/-4^{\circ}\text{F}$  to  $40^{\circ}\text{C}/104^{\circ}\text{F}$
- Do not use with enclosed luminaire.
- Do not expose directly to water.
- Use only one module per lamp.

2. Set PIR Occupancy/Daylight Sensor brightness and hold time:

- Brightness (Light level output when sensing no motion)
  - Set standby dimming level to 0/20%/40%/60% of full light output.
- Hold time (Time from light trigger until no motion is detected)
  - Set time duration until sensor triggers standby light level (30 seconds/90 seconds/5 minutes/10 minutes).



3. Plug the PIR Occupancy/Daylight Sensor into Smart Port.
- Insert 3.5mm AUX into the Smart Port on Keystone's Smart Port LED compatible lamps.



### INSTALLATION

#### OPERATION

- Plug in and turn on the LED lamp with the installed PIR Occupancy/Daylight Sensor.
  - If natural light level is above 300 lx and no motion is detected, the lamp will remain off.
  - If natural light level is above 300 lx and motion is detected, the lamp will remain off.
  - If natural light level is below 300 lx and no motion is detected, the lamp will illuminate to 0–60% brightness, depending on your preset brightness level (0/20%/40%/60%).
  - If natural light level is below 300 lx and motion is detected, the lamp will turn on to 100% brightness and stay on during the hold time (30 seconds/90 seconds/5 minutes/10 minutes) until motion is no longer detected.

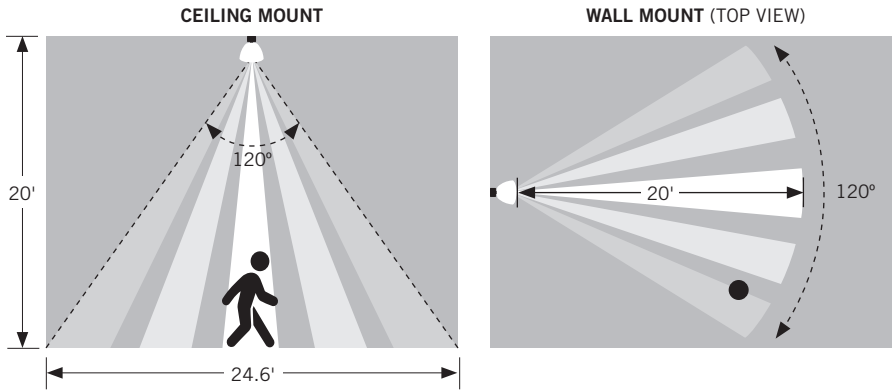


# SMART PORT LED

## KTS-PIR1-12V-AUX

SMART PORT LED PASSIVE INFRARED (PIR) OCCUPANCY/DAYLIGHT SENSOR

### PIR OCCUPANCY/DAYLIGHT SENSOR DETECTION AREA



### APPLICATIONS

- Corridors
- Parking garages
- Warehouses
- Showrooms

### ORDERING INFORMATION

ORDER CODE	PACKAGING STYLE	PACK QTY.	ITEM STATUS
KTS-PIR1-12V-AUX-CP	Carton Pack	TBD	Quick Ship

### CATALOG NUMBER BREAKDOWN

# KTS-PIR1-12V-AUX-CP

1
2
3
4
5

- 1 Keystone Technologies Sensor
- 2 Passive Infrared
- 3 Input Voltage
- 4 Auxiliary Port Connection
- 5 Packaging Style