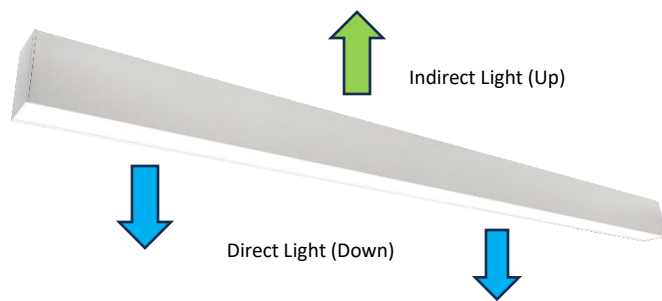


4FT WATTAGE & COLOR ADJUSTABLE UP/DOWN LINEAR LIGHT

LEDSTRP1000051665 - TS-AS1-4FT50W-L-TCP



Project:	
Type:	
Catalog #:	



This 4-foot Wattage & Color Adjustable Up/Down LED Linear strip provides both direct and indirect lighting. The suspended installation allows the light to produce up lighting (indirect) for ambiance and down lighting (direct) for task use. In addition to the direct and indirect light, this fixture is both wattage adjustable and color tunable allowing the user to select between 3 wattages and 3 color temperatures. There is an additional switch which allows the user to adjust the proportion of lighting for direct and indirect light - the user can select between 70% down/30% up, 90% Down/10% up, or 100% down/0% up. The versatility of this light fixture is perfect for use in any commercial office, school, hotel, hospital, or many other spaces!

Product Features

- **Color Temperature:** 3500K/4000K/5000K Selectable
- **Power Use:** 30W/40W/50W Selectable
- **Housing:** Extruded-Aluminum Housing
- **Driver:** Fosen
- **LED chip:** BridgeLux 2835
- **Optical Lens:** PS Diffuser
- **Beam Angle:** 360°
- **LED Life Hours:** Rated to last 50,000 hours
- **Dimmable:** 0-10V dimming
- **Voltage:** AC120-277V, 50/60Hz, 0-10V Dimming*
- **Power Factor (PF):** >0.9
- **Total Harmonic Distortion (THD):** <20%
- **Color Rendering Index (CRI):** >80
- **Operating Temperature:** -4°F ~ 113°F (-20°C ~ 45°C)
- **Warranty:** 5 year warranty

*Requires 0-10V dimmer (sold separately)

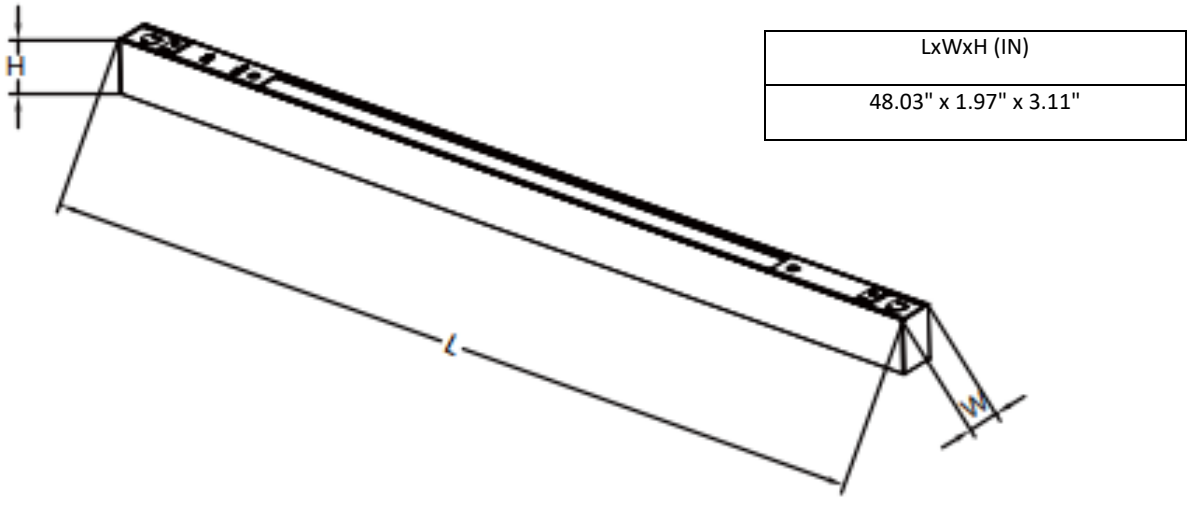
Safety & Performance Listings

- cULus listed
- DLC Standard V5.1 (Torshare)
- Complies with FCC Part 15, class B.

4FT WATTAGE & COLOR ADJUSTABLE UP/DOWN LINEAR LIGHT

LEDSTRP1000051665 - TS-AS1-4FT50W-L-TCP

Dimensions



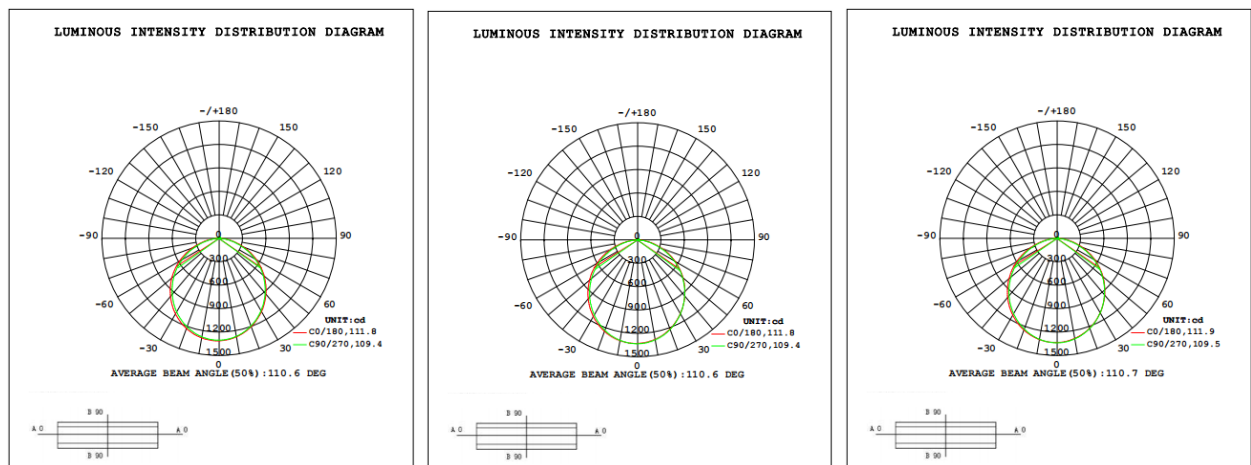
Electrical Specifications

Model	Watts	Lumens	LPW	CCT	CRI	Voltage	Beam Angle	Dimming
TS-AS1-4FT50W-L-TCP	30W	3450	115	3500K	>80	120-277	360	0-10V*
	40W	4600		4000K				
	50W	5750		5000K				

*0-10V dimmer required and sold separately.

DLC Brand - Torshare | DLC Product ID - S-FNXD7K

Photometrics

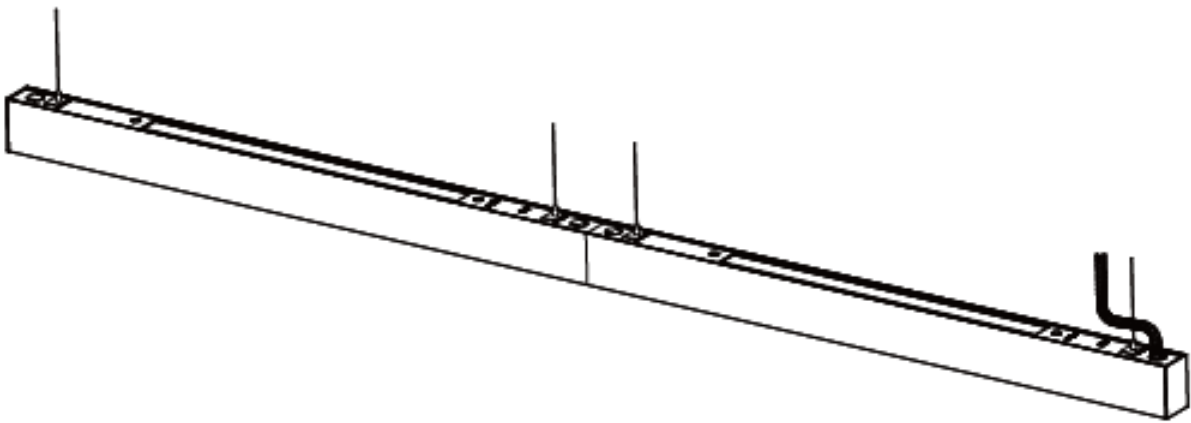


4FT WATTAGE & COLOR ADJUSTABLE UP/DOWN LINEAR LIGHT

LEDSTRP1000051665 - TS-AS1-4FT50W-L-TCP

Continuous Row Mounting

This fixture can be linked end to end to make a continuous row of lighting with included hardware. Max number of units linked end to end is 6.



Packing

Outer Carton Size (L*W*H)	Qty/Ctn (pcs)	Net Weight (lbs)	Gross Weight (lbs)
50.39" x9.64" x 12.00"	12	52.69	58.55