

LED SECURITY WALLPACK

Catalog No. : PRWX15-V-PC-4K-BZ

Type : Wallpack Light

Project Name :

Location :

Qty :

Date :



Probrite PowerWall X 15-watt integrated LED wallpack design is perfect for outdoor application such as outdoor security lighting, wall perimeter lighting, garages, large backyards, commercial loading bays, warehouses, apartment complexes, hotels, and office and retail complexes. The fixture comes with dusk to dawn feature with both automatic and a manual switch-mode, giving consumers a choice and it is built to last with a die-cast aluminum construction and commercial-grade powder paint coat. This Probrite fixture can be mount quickly and easily on wall, with the help of mounting plate.



PRODUCT PERFORMANCE AT A GLANCE

SYSTEM WATTAGE	LUMENS	LPW	CRI	REPLACES (Incandescent)
15W	1500 lm	100 lm/w	>70	100W



DUSK-TO-DAWN

HOUSING

Die cast aluminum housing with corrosion resistant powder-coated paint finish. It is designed to ensure cooling by natural convection and passive airflow, to let driver perform efficiently

OPTICS

Prismatic polycarbonate lens, provides wide and even light coverage without visible "hot-spots" on the lens and gives superior lighting experience.

FINISH

Fade, weather, and abrasion resistant, electrostatically applied, thermally cured, triglycidal isocyanurate (TGIC) textured polyester powdercoat bronze paint finish.

IP RATING & LISTINGS

LED light engine is weather proof and rated IP65, UL Listed, suitable for Wet Location and DLC Standard.

MOUNTING

It can be mount on wall with the wall mount plate.

WARRANTY

Covered by a 5-year limited warranty. See probrite.com/warranty for details.

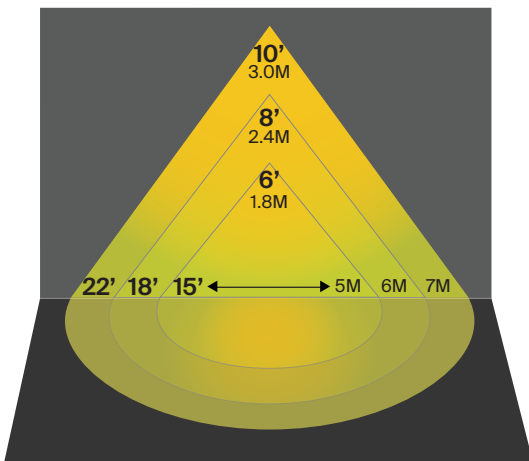
PRODUCT SPECIFICATION

Product Dimensions	: 5.46" x 8.70" x 3.50"
Weight	: 1.65 lbs
Lumens	: 1500
LED Wattage	: 15W
Efficacy	: 100W
CRI	: >70
Replaces (Incandescent)	: 100W
Mounting	: Wall Mount
Frequency	: 50-60Hz
THD (Total Harmonic Distortion)	: <20%
PF(Power Factor)	: >0.9
Ambient Operating Temperature	: (-30)-40°C
Input Voltage	: 120-277V
LED Chip	: -
Photocell	: Yes
Driver	: Non-Dimming
Standard Lifetime	: 50,000 hrs
Standard Warranty	: 5 Years
Water Proofing Grade	: Suitable for wet location
CCT	: 4000K Bright White Light
Certifications	: IP65, Energy Star, FCC Certified, UL Certified, DLC Standard

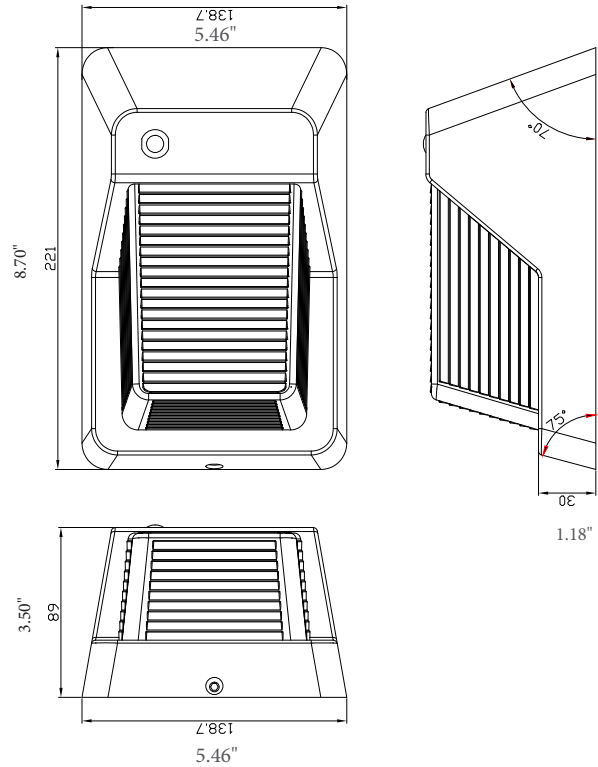


SUGGESTED MOUNTING HEIGHT:
6-12 FT.(1.8-3.7 M)

3D PHOTOMETRIC VIEW



PRODUCT LINE DRAWING



APPLICATION

SUITABLE FOR MULTIPLE APPLICATIONS

- WAREHOUSES • LOADING BAYS • PATIOS
- COMMERCIAL PARKS • APARTMENT COMPLEXES

