

Please Refer To Page 2 for NEW initial Startup Procedures

RCK-K, RCK-KS, RCK-KW ACUMEN MODEL L Fireplace Remote Control-DC Installation and Operation Instructions

The Acumen Model L Remote Control is designed for use with decorative gas logs, gas fireplaces, gas inserts, stoves and wall heaters. The Remote Receiver can be installed inside the fireplace or in a wall receptacle. The Model L transmitter is a six-button hand held transmitter, which turns the gas on or off or acts as a thermostat. The display of the transmitter shows the current room temperature, clock, target temperature, timer setting, on/off status and low battery indicator.

Installation Instructions: Installer, Please follow these instructions
Installation Precautions: and leave them with the appliance user.

The Model L Remote Control is tested safe when installed in accordance with this installation manual. It is your responsibility to read all instruction before starting installation and to follow these instructions carefully during installation.

The Model L Remote Control **MUST** be installed by a qualified service technician and **MUST** be installed only as specified. If you modify it or any of its components, you may possibly cause a fire hazard.

FCC Requirements

Warning : Changes or modifications to this unit not expressly approved by the party responsible for compliance could void the user's authority to operate the equipment. This equipment has been tested and found to comply with the limits for a Class B digital device, pursuant to Part 15 to the FCC Rules. These limits are designed to provide reasonable protection against harmful interference in a residential installation. This equipment generates, uses and can radiate radio frequency energy and, if not installed and used in accordance with the instructions, may cause harmful interference to radio communications. However, there is no guarantee that interference will not occur in a particular installation. If this equipment does cause harmful interference to radio or television reception, which can be determined by turning the equipment off and on, the user is encouraged to try to correct the interference by one or more of the following measures:

- Reorient or relocate the receiver antenna. increase the separation between remote and receiver.
- Consult the dealer or an experienced radio TV technician for help.

INSTALLATION CAUTIONS

- 1) **BE SURE INSTALLATION INSTRUCTIONS ARE FOLLOWED CAREFULLY AND OPERATION INSTRUCTIONS ARE UNDERSTOOD. INSTALL SYSTEM AS IT IS DESIGNED. DO NOT MODIFY OR ALTER.**
- 2) Be sure batteries are fresh and installed correctly.
- 3) Be sure all wires are connected firmly and in the right places.
- 4) To light flames with remote: a) Be sure pilot is lit. b) Be sure control knob on valve is turned ON.
- 5) If you are using a transmitter with a "Child Proof" switch, be sure it is turned OFF. (See Child Proof Function Section on Page 3).
- 6) If your system includes a manual ON/OFF switch, be sure it is set at OFF.
- 7) If "Timer" stays on LCD when it shouldn't, change battery locations in transmitter.
- 8) If receiver will light main burner manually but remote will not please refer to Initial Startup Procedures on Page 2.

DO NOT CONNECT 110 V AC TO THIS SYSTEM.

WARNING: TURN OFF THE GAS SUPPLY TO THE FIREPLACE BEFORE INSTALLING THE REMOTE RECEIVER.

Make sure the slide switch on the Remote Receiver is at OFF position. See Figure 1.

Batteries

1. The Remote Transmitter uses 3 AAA-size batteries. Replace these batteries at least once a year.
2. The Remote Receiver uses 4 AA-size batteries. Replace these batteries at least once each 1/2 year or when the low battery indicator flashes.
3. After you take out the batteries, wait for at least 1 minute before putting fresh batteries into the Remote Transmitter / Receiver.
4. Use only fresh alkaline batteries.

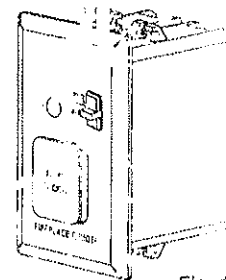


Fig 1

For initial Start up

Put the 4 AA size batteries into the RECEIVER first, put the receiver into the "remote" position, then put 3 AAA size batteries into the remote TRANSMITTER, push the any button and you will hear an audible beep from the receiver. If you don't hear the beep, repeat this process.

Putting In or Changing Batteries

1. Slide the slide switch on the receiver to Off position.
2. Press the battery compartment slightly into the Remote Receiver and then release. The battery compartment will pop out of the Remote Receiver. Figure 2.
3. Slide open the battery door and replace batteries.
4. Replace the battery door and slide the battery compartment back into the Remote Receiver.
5. On the transmitter slide off the battery door and put in or replace batteries.
6. Replace the battery door.

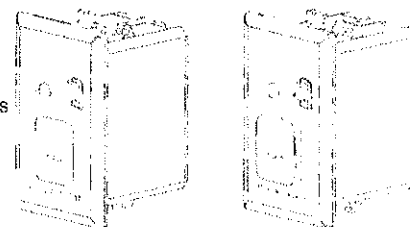


Fig 2

IMPORTANT SAFETY FEATURE

You can set a private code into your system to prevent accidental operation by any other transmitter nearby. See Figure 3.

Coding Instructions

Remove the cover on the back of the Remote Transmitter and expose the code switches. Slide the code switches to your choice of ON or OFF position. FACTORY SETTING IS ALL "OFF".

There are no code switches on the Remote Receiver. These units are self matching and no code changes are needed for the receiver.

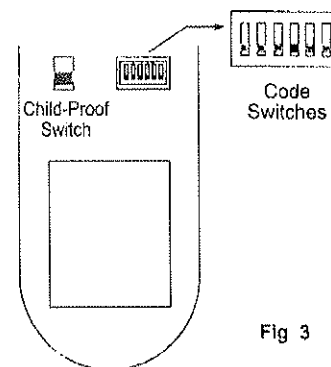


Fig 3

TRANSMITTER SETTINGS

1. Press and hold "Clock" button for as much as 5 seconds.
2. The hour display will flash. Use the Up and Down buttons to set the hour.
3. Press the "Clock" button again and the minute display will flash. Use the Up and Down buttons to set minutes.
4. Press the "Clock" button again and the °F or °C display will flash. Use the UP and Down buttons to select for the Remote Transmitter to display temperature in "F" or "C".
5. Press the "Clock" button again after setting.

Operation Instructions:

Transmitter Operation

The Model L Remote Control has three operating modes. They are: MANUAL, AUTO and TIMER.

WARNING:

IT TAKES SOME TIME FOR THE RECEIVER TO RESPOND TO THE TRANSMITTER. DO NOT PRESS THE AUTO ON/OFF BUTTONS MORE THAN ONCE WITHIN 2 SECONDS FOR CORRECT OPERATION.

Manual Mode

1. Press the Manual ON/OFF button once to light the fireplace, press the button again to turn it off.
2. In Manual mode the Remote Transmitter will not turn the fireplace off even if the room temperature exceeds the target temperature.
3. The fireplace will turn off automatically after 6 hours.

CAUTION: THE REMOTE RECEIVER WILL AUTOMATICALLY TURN OFF THE FIREPLACE AFTER SIX HOURS OF UNINTERRUPTED OPERATION. PRESS THE OFF BUTTON TO RESET THE TRANSMITTER. IF CONTINUOUS OPERATION IS REQUIRED YOU CAN SET THE RECEIVER TO THE ON POSITION. THE RECEIVER WILL ONLY RESPOND TO THE TRANSMITTER IN THE REMOTE POSITION.

Auto Mode

1. Set the desired target temperature. Use Up and Down buttons to set between 45°F and 90°F.
2. Press the Auto/Off button once to activate the Auto mode - "Auto" will appear on the LCD. In Auto Mode the Remote Transmitter will automatically turn on the fireplace when the room temperature is below the target temperature and turn off the fireplace when the room temperature is above the target temperature. The functions will take place within 2°F to 3°F of the temperature you set.
3. Press Auto/Off button to turn off the fireplace (if it is already on) and exit Auto Mode, the receiver will not shut off if you press the Manual on/off button while in the auto mode.
4. See Operating Caution #6 on Page 4.

Timer Mode

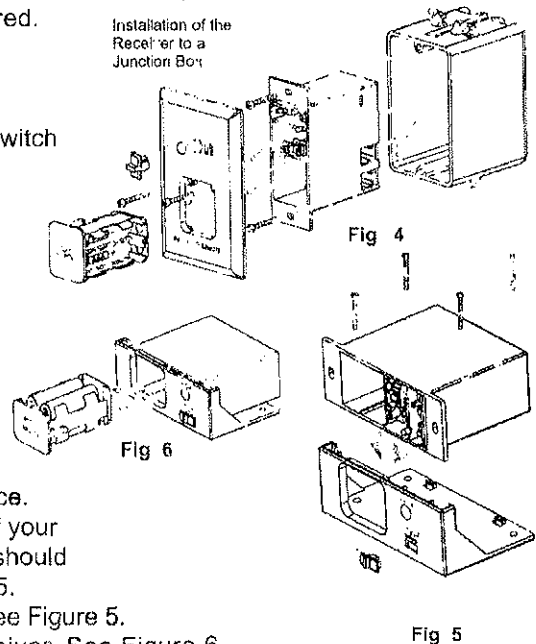
1. You can set the timer to the length of time you want the fireplace to operate (1 to 120 minutes).
2. Press the "Timer" button once. The Timer display "----" will blink.
3. Press the Up and Down buttons to set the timer. The LCD will display the length of time chosen.
4. The timer setting can be canceled at any time by pressing the "Timer" button.
5. Press Auto/Off button to turn on the fireplace.
6. The fireplace will turn off at the end of the timer setting.

Child-Proof Function

1. Remove the cover at the back of the Remote Transmitter to expose the CHILD-PROOF switch.
2. Slide the CHILD-PROOF switch to position marked C/P to activate the Child-Proof function. "Child-Proof " will appear on the LCD.
3. In CHILD-PROOF the Remote Transmitter will work normally except the button becomes inoperable.
4. Press the Up and Down buttons in the following sequence, Up-Down-Down-Up-Down, within 2 seconds and button function will be temporarily restored. "Child-Proof " will disappear from the LCD.
5. If no button is pressed within 2 minutes, the Remote Transmitter will return to Child-Proof function and "Child-Proof " will reappear on the LCD until the Child-Proof switch is moved back to the other position.

Installing the Remote Receiver in a Wall Receptacle: (Model RCK-KW)

1. Secure the Remote Receiver to the Receptacle.
2. Use the screws provided to secure the face plate to the Remote Receiver. See Figure 4.
3. Make provision to run wire from receiver to valve. Add wire, if necessary.



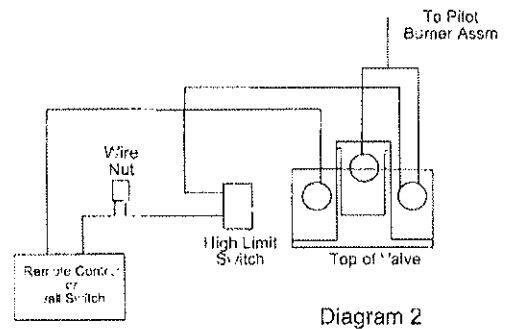
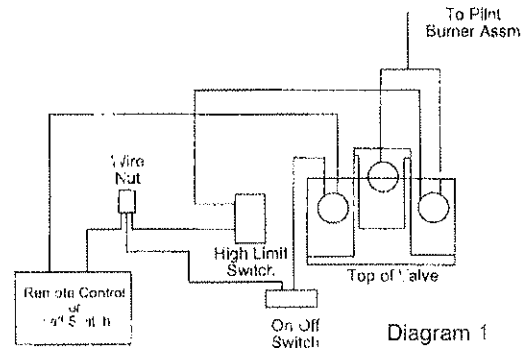
Installing the Remote Receiver in a Fireplace:

1. Secure the Fireplace Mounting plate to the floor of the fireplace. If adhesive on bottom of face-plate will not hold to the floor of your fireplace, use 2 of the self-drilling screws in the parts bag (2 should be enough) to secure faceplate to fireplace floor. See Figure 5.
2. Slide the Remote Receiver into the fireplace mounting plate. See Figure 5.
3. Slide the battery compartment into the Remote Plate Receiver. See Figure 6.

4. Run 2 wires from receiver through hole in upper backside of heat shield and place heat shield over receiver leaving front of receiver exposed.
5. Connect one wire from the receiver to the TH Terminal on the valve.
6. In order to prevent Remote Receiver (Fireplace Installation only) from overheating, put the Heat Shield (provided) over the Remote Receiver For rest of wiring see A. B & C on next page.

WIRING INSTRUCTIONS

- A) IF YOU ARE USING A REMOTE CONTROL OR WALL SWITCH AND HAVE A HI-LIMIT AND ON/OFF SWITCH, WIRE AS SHOWN IN DIAGRAM 1.
- B) IF YOU ARE USING A REMOTE CONTROL OR WALL SWITCH AND HAVE NEITHER A HI-LIMIT OR ON/OFF SWITCH, WIRE AS SHOWN IN DIAGRAM 2.
- C) IF YOU ARE USING A REMOTE CONTROL OR WALL SWITCH AND HAVE NEITHER A HI-LIMIT OR ON/OFF SWITCH, SIMPLY RUN THE LEAD SHOWN COMING FROM THE RIGHT OF THE REMOTE CONTROL OR WALL SWITCH IN DIAGRAM 2 DIRECTLY TO TERMINAL TH/TP.



NOTE: Models RCK-KS & RCK-KW do not require a heat shield so it is not provided.

Receiver Operation:

The Remote Receiver has 2 operation modes. They are On and Remote.

On Mode

1. When the switch on the receiver is set to the ON position, it will turn the fireplace ON. When it is set to the OFF, it will turn the fireplace OFF.
2. The Receiver will not respond to the Transmitter in On or OFF setting.

Remote Mode

The Receiver will respond to the Transmitter and turn the fireplace on and off.

OPERATING CAUTIONS

- 1) If on initial start-up your fireplace doesn't turn on take out all batteries and install the Receiver batteries first and then the Transmitter batteries second. Press any button on the Remote Transmitter and the receiver should beep telling you that they are matched up.
- 2) Allow at least 2 seconds between each push on the ON/OFF button to allow receiver to respond to signal.
- 3) Do not lay transmitter on metal surface.
- 4) For best performance try to have a separation of 3 feet between transmitter and receiver.
- 5) Do not place thermostat type transmitter where it will be unusually hot (in the sun) or cool (by an AC outlet).
- 6) With thermostat type transmitter allow for a +/- range of 3° from set temperature for system to start or stop burner pan flame.
- 7) The Receiver is equipped with an overheat protection. If the receiver gets too hot it will shut off the fireplace to prevent accidental overheating. If this should happen relocate the receiver to a position farther from the flame.

Fireplace Remote Control Installation Instructions

PLEASE LEAVE THE INSTRUCTIONS TO THE HOMEOWNER.

6HR SAFETY TIMER

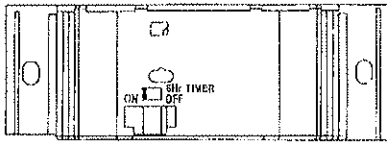
Enable - Timer Set to "ON"

In case of Transmitter failure (Malfunction / Battery run out), The Receiver will shut down the fireplace automatically after 6Hr of no Transmitter signal detection.

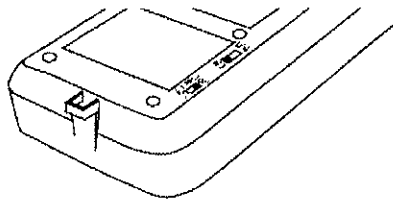
Disable - Timer Set to "OFF"

The Receiver & Fireplace will continue to operate in the last setting and will not shut off automatically in case of Transmitter failure.

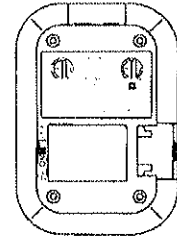
(Note: Not recommended)



(Low Profile DC Receiver)



RX-07(AC)



RX-04(AC)

	First 2Hr since last signal received	Following 4Hr	6 th Hr since last signal received
Receiver/Fireplace Status	ON	Alternate OFF (30min) / ON (20min), check for Tx signal	Shut down if no signal received