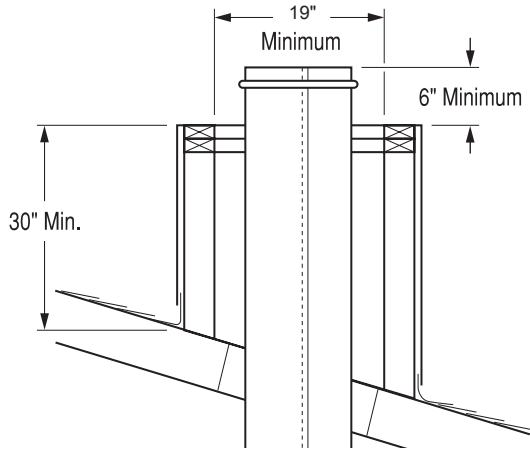


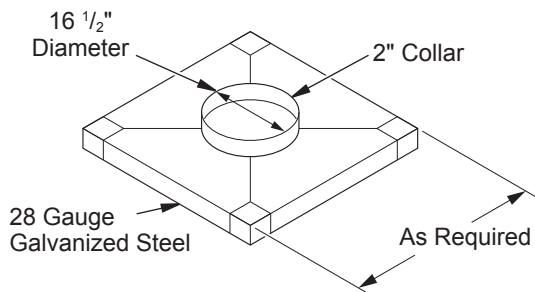
# ROUND TOP TERMINATIONS INSTALLATION INSTRUCTIONS

## RLT-12D AND RLT-12HT

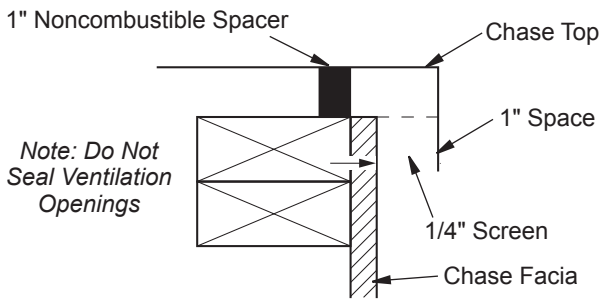
1. Construct chase as illustrated in Figure 1.  
*Note: The shortest vertical side must be at least 30" high and the minimum inside dimension must be at least 19" as shown in Figure 1.*
2. Add pipe sections to chimney system as outlined in fire-place installation instructions until the last piece of chimney is a minimum of 6" above chase top (see Figure 1).
3. Fabricate a flashing having a 16 1/2" diameter hole centered over chimney end with a 2" collar around hole (see Figure 2).
4. Attach noncombustible spacers at each corner and place flashing over chase (see Figure 3). Secure flashing through sides with 8-penny nails or sheet rock screws.
5. Place termination cap over opening. Slip stainless steel inner pipe of termination into inner stainless steel chimney section (see Figure 4). Place galvanized steel over chimney outlet (see Figure 5).
6. Attach storm collar where chimney pierces opening in flashing. Caulk where storm collar touches outer chimney pipe (see Figure 5).



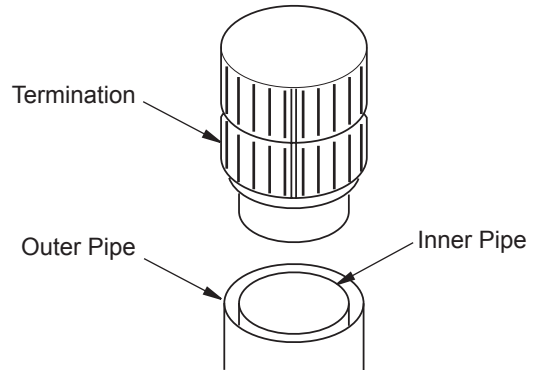
**Figure 1 - Constructing Chase**



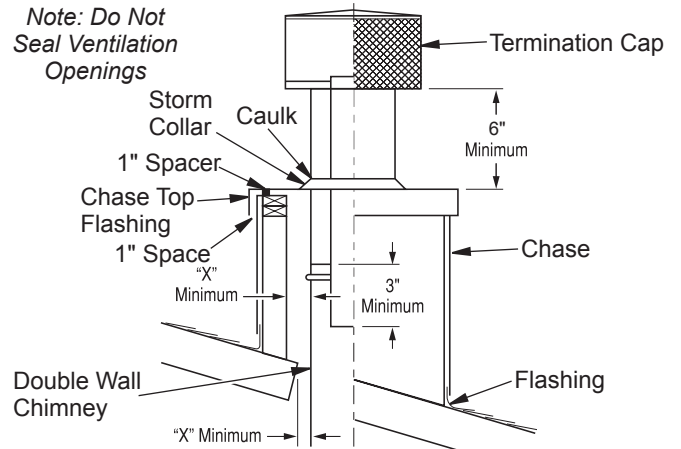
**Figure 2 - Constructing Chase Top Flashing**



**Figure 3 - Chase Top Flashing**



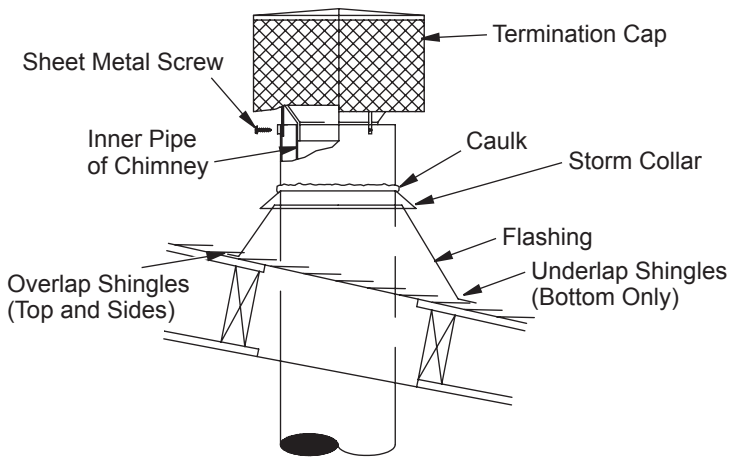
**Figure 4 - Installing Termination Cap**



**Figure 5 - Chase Installation**

## NONCHASE INSTALLATION

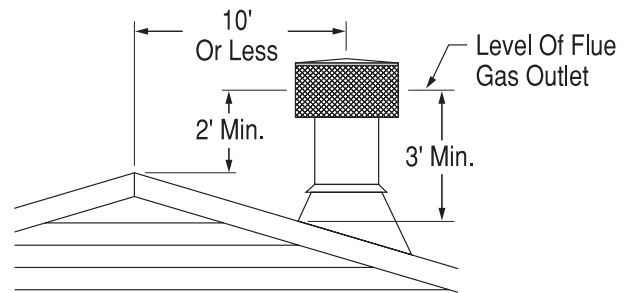
1. Slip on proper pitch roof flashing and mount storm collar above it. Caulk top of storm collar where it contacts outer chimney pipe.
2. Mount round top termination and secure it to outer chimney pipe with 3 sheet metal screws.



**Figure 6 - Non-Chase Installation**

## 10' RULE

The chimney flue gas outlet of the termination must be a minimum distance of 3 feet above the highest point where pipe penetrates roof and must be a minimum distance of 2 feet above highest point of roof within a horizontal distance of 10 feet (see Figure 7).



**Figure 7 - 10' Rule**



DESA Heating, LLC  
2701 Industrial Drive  
Bowling Green, KY 42101  
www.desatech.com  
1-866-672-6040



116064 01  
NOT A UPC

116064-01  
Rev. B  
11/07