

ROUND TOP TERMINATIONS INSTALLATION INSTRUCTIONS

RT-8DM(HT), RTT-8DM(HT) AND RTL-8DM(HT)

Note: For nonchase installation see other side.

1. Construct chase as illustrated in Figure 2 (RTT-8 Series only) or Figure 3 (RT(L)-8 Series only).

Note: The shortest vertical side must be at least 30" high and the minimum inside dimension must be at least "Y" (as shown in Figure 2).

2. Add pipe sections to chimney system as outlined in fireplace installation instructions until the last piece of chimney is a maximum of 12" below top of chase for RTT-8 Series Only (see Figure 2), or a minimum of 6" above chase top for RT(L)-8 Series Only (see Figure 3).
3. Fabricate a flashing having a 14" diameter hole centered over chimney end with a 2" collar around hole (see Figure 4). Attach noncombustible spacers at each corner and place flashing over chase.

If Minimum Clearance "X" =	Then "Y" =
1"	14 1/2"
2"	16 1/2"

Note: Refer to owner's manual for minimum clearances specified for your model.

Figure 1 - Dimensions Chart

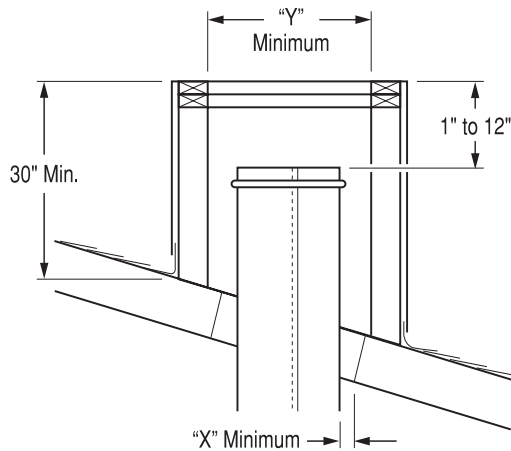


Figure 2 - Constructing Chase (RTT-8 Series Only)

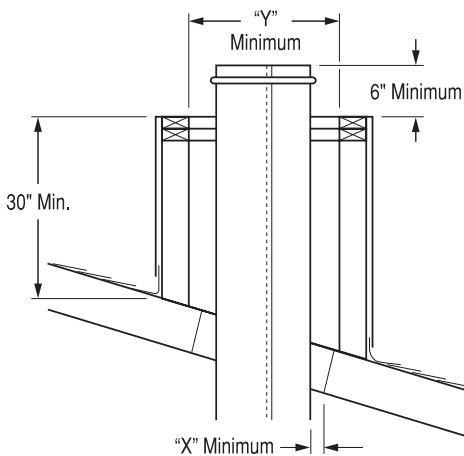


Figure 3 - Constructing Chase (RT(L)-8 Series Only)

4. Secure flashing through sides with 8-penny nails or sheet rock screws.
5. Attach storm collar where chimney pierces opening in flashing. Caulk where storm collar touches outer chimney pipe (see Figure 5 for RTT-8 Series or Figure 6 for RT(L)-8 Series).
6. Place termination cap over opening. Slip 8" stainless steel inner pipe into stainless steel chimney section. Lower termination assembly until cap legs clip into outer chimney pipe. Secure legs of cap with sheet metal screws (see Figure 5 for RTT-8 Series or Figure 6 for RT(L)-8 Series).

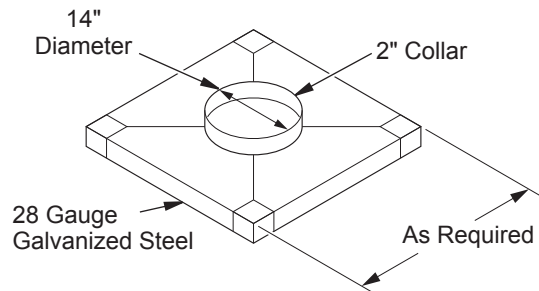
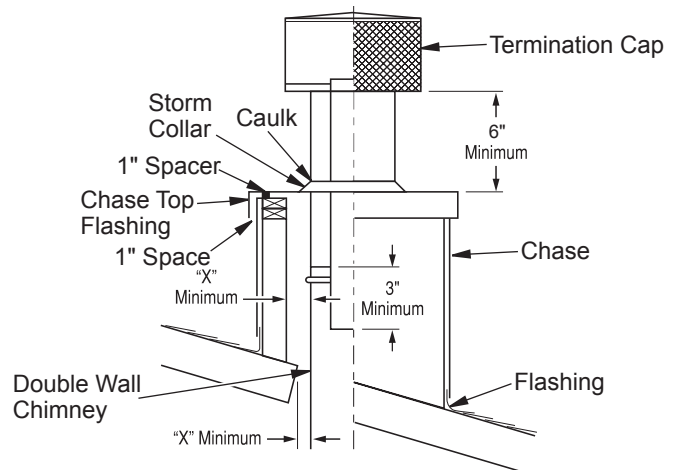
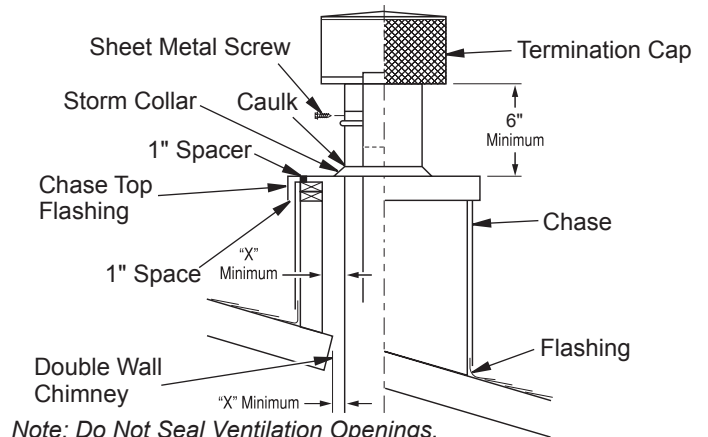


Figure 4 - Constructing Chase Top Flashing



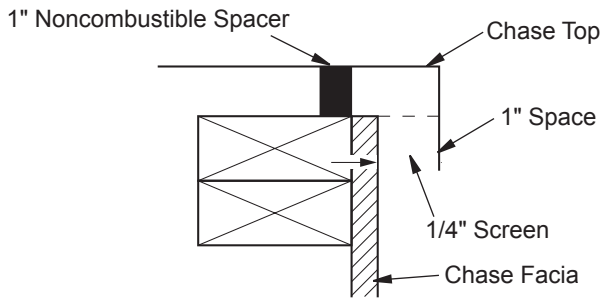
Note: Do Not Seal Ventilation Openings.

Figure 5 - Installing Termination Cap (RTT-8 Series Only)



Note: Do Not Seal Ventilation Openings.

Figure 6 - Installing Termination Cap (RT(L)-8 Series Only)



Note: Do Not Seal Ventilation Openings.

Figure 7 - Chase Top Flashing

NONCHASE INSTALLATION

1. Slip on proper pitch roof flashing and mount storm collar above it. Caulk top of storm collar where it contacts outer chimney pipe.
2. Mount round top termination and secure it to outer chimney pipe with 3 sheet metal screws.

10' RULE

The chimney flue gas outlet of the termination must be a minimum distance of 3 feet above the highest point where pipe penetrates roof and must be a minimum distance of 2 feet above highest point of roof within a horizontal distance of 10 feet (see Figure 8).

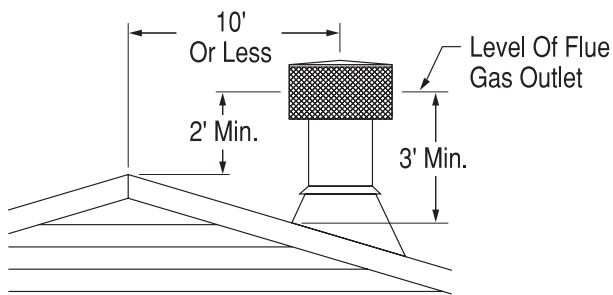


Figure 8 - 10' Rule



DESA Heating, LLC
 2701 Industrial Drive
 Bowling Green, KY 42101
 www.desatech.com
 1-866-672-6040



107457 01
 NOT A UPC

107457-01
 Rev. D
 11/07