



### Model SS 20 TS

3" - 14 gauge spun aluminum ball  
gold anodized.

Single sheave truck, cast aluminum  
stationary, non-fouling type

One set of halyard,  
#8 polypropylene

2 Nylon flag snaps

One 9" Cast Aluminum Cleat

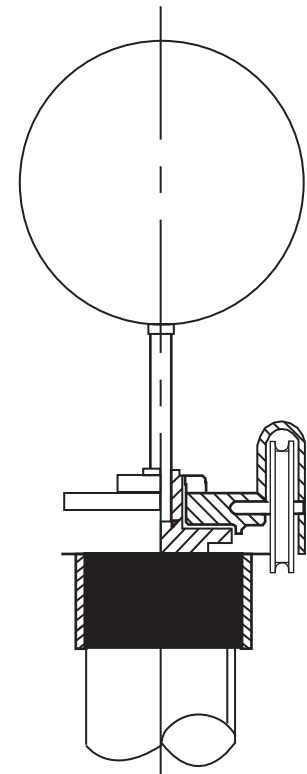
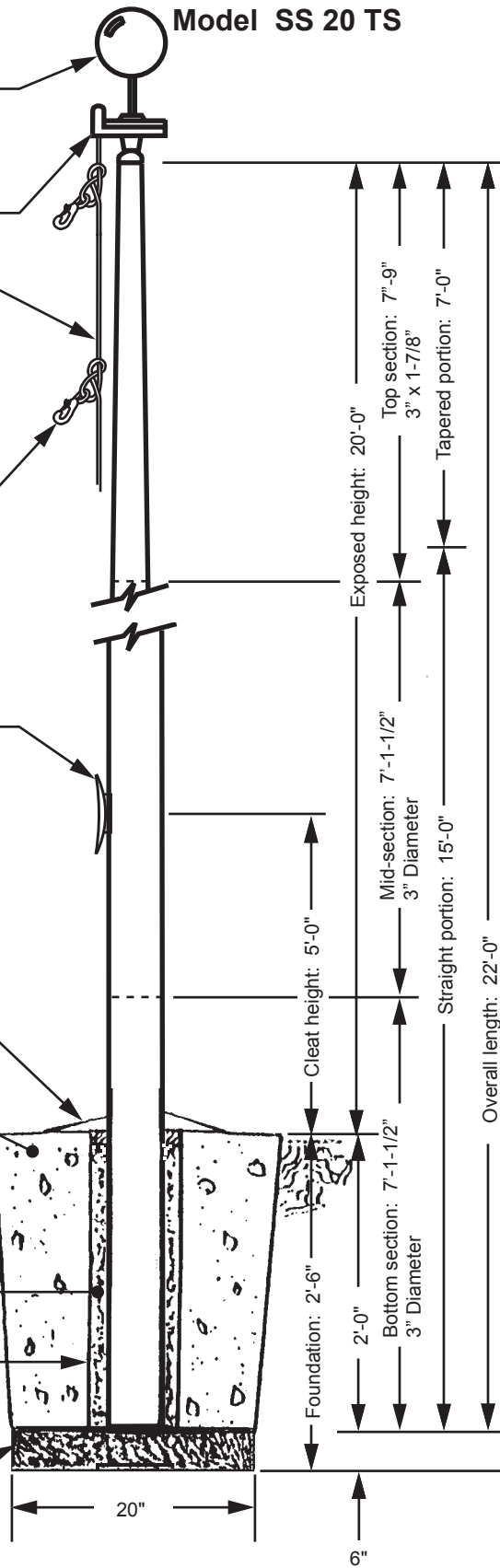
Aluminum flash collar (Optional)

3000 PSI concrete

Dry sand tightly tamped  
after aligning pole

Plastic PVC Sono tube

Crushed Stone



Project:	Ground set tapered aluminum flagpole: ALLOY: 6063T6	EDER FLAG	Date:
Location:	Exposed height: 20'-0"	Overall height: 22'-0"	Revision:
Architect:	Ship in 3 sections	Butt diameter: 3"	1000 W. Rawson Avenue
Contractor:	Top diameter: 1-7/8"	Wall thickness: .125"	Oak Creek, WI 53154
Customer:	Finish: 100 grit polish		Job: