



Project:	
Type:	
Catalog #:	



This LED Recessed Retrofit Downlight is designed to fit most 5 inch and 6 inch recessed housings and replace the existing bulb and trim. The LED retrofit will outlast nearly any light bulb and creates a smooth clean look once installed. The stepped baffle trim reduces glare and creates an even lighting distribution. To install, simply remove the existing trim and bulb, screw the E26 adapter of the retrofit in, snap the metal spring-loaded bars into the housing, and gently push the retrofit into place! This LED retrofit produces light equivalent to a 65W incandescent bulb using only 9W!

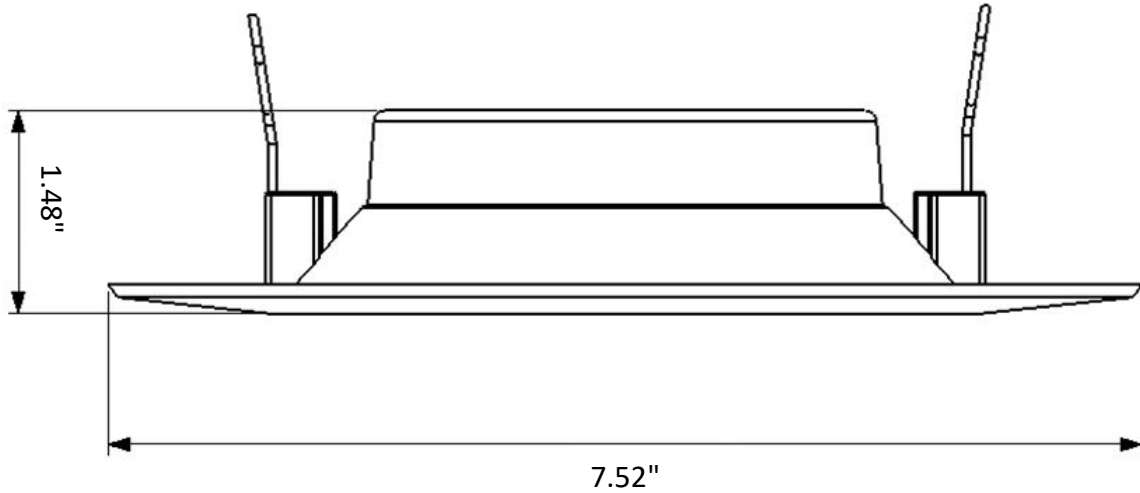
## Product Features

- **Color Temperature:** Available in 5000K
- **Power Use:** 9W
- **Housing Construction:** PC Housing
- **Beam Angle:** 110°
- **LEDs:** Smalite 2835 LED Chips
- **LED Life Hours:** Rated to last 50,000 hours
- **Driver:** AC120V, 50/60Hz, Triac Dimming 5%-100%
- **Power Factor (PF):** > 0.90
- **Total Harmonic Distortion (THD):** <20%
- **Color Rendering Index (CRI):** > 80
- **Operating Temperature:** -4°F ~ 104°F (-20°C ~ 40°C)
- **Surge Protection:** 2.5kV Standard.
- **Insulation Contact:** IC Rated for insulation contact.
- **Warranty:** 5 year warranty of all electronics and housing.

## Safety & Performance Listings

- cETLus listed for damp locations
- Complies with RoHS requirements.
- Complies with FCC Part 15, class B.
- ICES Certifications

**Dimensions**



**Electrical Specifications**

Watts	Lumens	LPW	CCT	Voltage	Beam Angle	CRI	Dimming
9	650	72	5000K	120V	110°	80	Triac Dimming - 5%-100%*

\*Compatible LED Dimmer sold separately

**Installation**

